

ST SNK EF C

SENTINEL Tap Range Sentinel Easyfit Sink Mixer Chrome



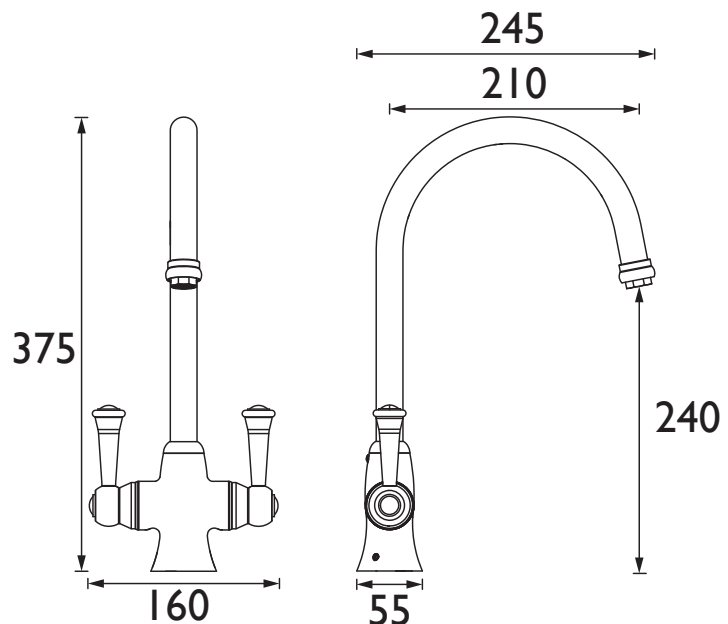
Specification

Product Type:	Kitchen Taps
Main Construction Material:	Brass
Mount Type:	Deck Mounted
Handle Type:	Lever Handles
Connection Inlet:	1/2" BSP Female Flexible Tails
Connection Outlet:	Anti-Splash
Number of Tap Holes:	1
Valve/Cartridge Type:	1/2" Ceramic Disc Valve
Plumbing System Requirements:	Suitable for all plumbing systems
Minimum Dynamic Pressure (bar):	0.4 bar
Maximum Dynamic Pressure (bar):	5.0 bar
Maximum Hot Water Temperature °C:	65°C
Maximum Static Pressure (bar):	10 bar
Flow Type:	Dual Flow
Isolation Included:	Yes

Features:

- A contemporary twin lever kitchen tap featuring Top Fix Easyfit technology.
- Unique patented top fix design, for simple installation from above the sink.
- Simply drop and twist the top fix base into the tap hole from above, and lock into place with the Allen key provided.
- Two supplied isolation valves and flexi tails mean you can connect to the water supply at this point and isolate the base.
- Push the tap on to the base and secure into position with the supplied Easyfit tool and screws.
- Everything you need in the box including an Allen key, isolation valves, Top Fix Easyfit base, Easyfit tool and flexi tails
- Swivel spout for easy use
- Long life 1/4 turn ceramic disc valves for added durability and smooth control.
- High quality metal fixings for security and durability
- Also available in other finishes.
- 10 year parts and 1 year labour guarantee for peace of mind.

Dimensions (measurements in mm)



Product Certifications:



WRAS Cert. Number: 2009904
WRAS Expiry Date: 30/09/2025



Flow Rates (l/min)

System Pressure (bar)	0.4	0.5	1	2	3	5
ST SNK EF C (hot)	6.12	6.89	9.89	14.28	17.65	23.52
ST SNK EF C (cold)	7.08	7.91	11.32	16.10	19.76	25.56
ST SNK EF C (mixed)	13.19	14.83	21.20	30.40	37.38	49.18

TECHNICAL DATA SHEET



BRISTAN

D10