

ST NHPUMP 18TN

Accessories 1.8 bar Twin End Negative Head Shower Pump



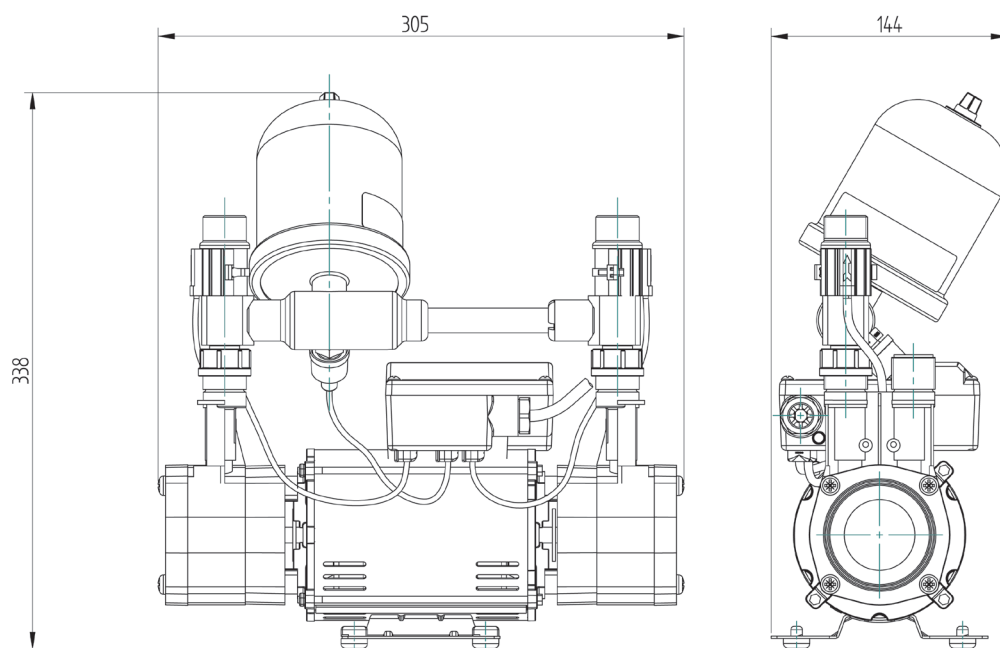
Specification

| | |
|--------------------------|---|
| Pump Type: | Peripheral |
| Power Supply: | 230 Volts AC |
| Power Consumption: | 440 Watts |
| Inlet Connections: | G 3/4" |
| Outlet Connections: | G 3/4" |
| Supply: | Suitable for hot and cold open vented water systems |
| Performance: | Max Flow rate - 33l/min |
| Max Head (closed valve): | 1.8 Bar |
| Motor Rating: | Continuous (S1)@ 9l/min and above |
| Working Pressures: | Min. 0.1 Bar, Max. 3.8 Bar |
| Inlet Temperature: | Min 4°C, Max 65°C |
| Dimensions for Fitting: | 305 (D) mm, 139 (W) mm, 338 (H) mm. |

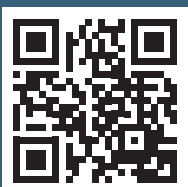
Features:

- Twin impeller for boosting two water supplies
- Max. number of starts per hour - 60
- Doesn't require a gravity flow of water to start.
- Suitable for domestic positive and negative head applications.
- Fully automatic flow switch control - pump automatically starts when flow of water exceeds 0.8 litres per min.
- Boosts hot and cold water supply equally.
- Pump rated at 1.8 bar pressure, equivalent to 18 meters head height.
- Pre-wired with a 1.5m power cable.
- Low noise - fitted with anti-vibration feet.
- Max. ambient air temp. - 40°C
- Can be used for up to 4 outlets within a bathroom, subject to correct specification and pump sizing

Dimensions (measurements in mm)



For more products, visit our website:
<http://www.bristan.com>



TECHNICAL DATA SHEET



BRISTAN

TAPS & SHOWERS

D2