

FH SLRD02 C

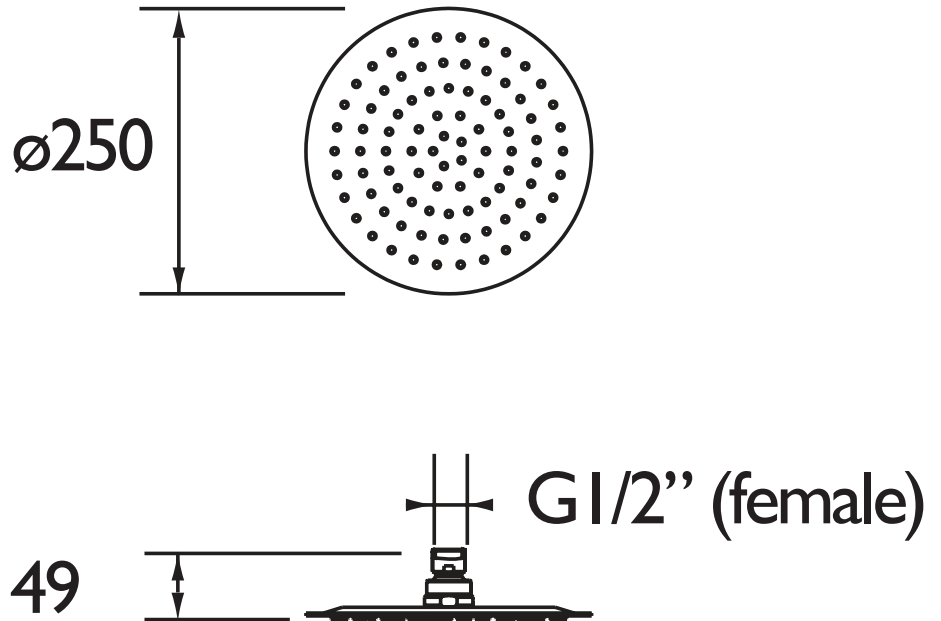
Accessories Stainless Steel Slimline 250mm Round Fixed Head



Specification

Main Construction Material:	Stainless Steel
Connection Inlet:	G1/2"
Connection Outlet:	N/A
Contemporary or Traditional:	Contemporary
Left or Right Handed:	N/A
Rub Clean Handset:	Yes

Dimensions (measurements in mm)



Features:

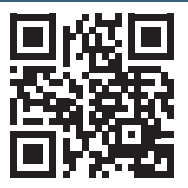
- Supplied with swivel joint

Product Certifications:



WRAS Certificate No: 2007910
WRAS Expiry Date: 31/07/2025

For more products, visit our website:
<http://www.bristan.com>



TECHNICAL DATA SHEET



BRISTAN

TAPS & SHOWERS

D3