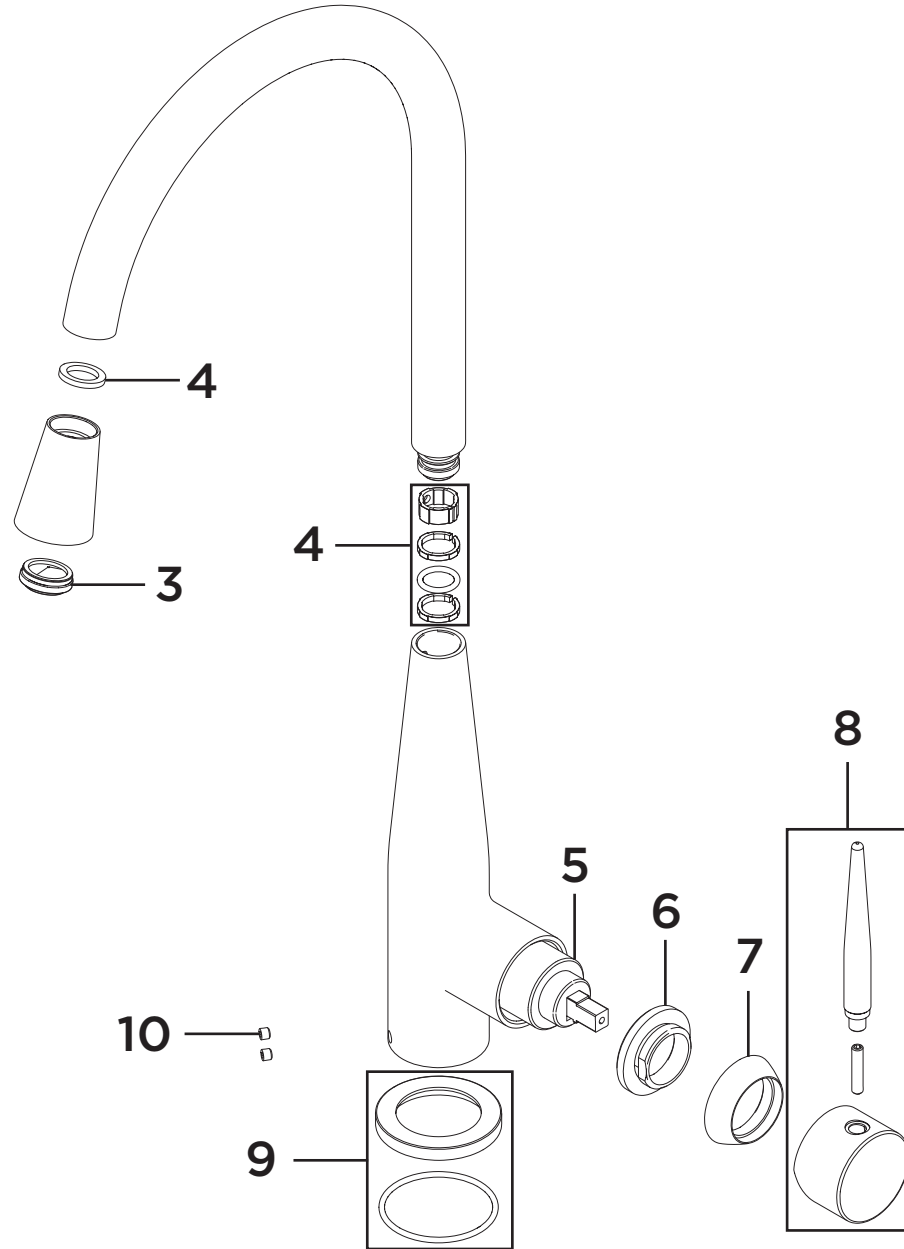
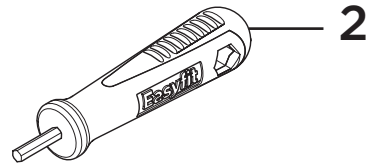
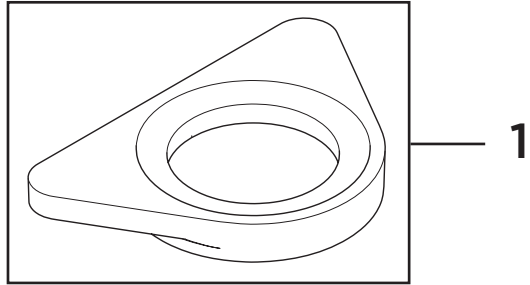
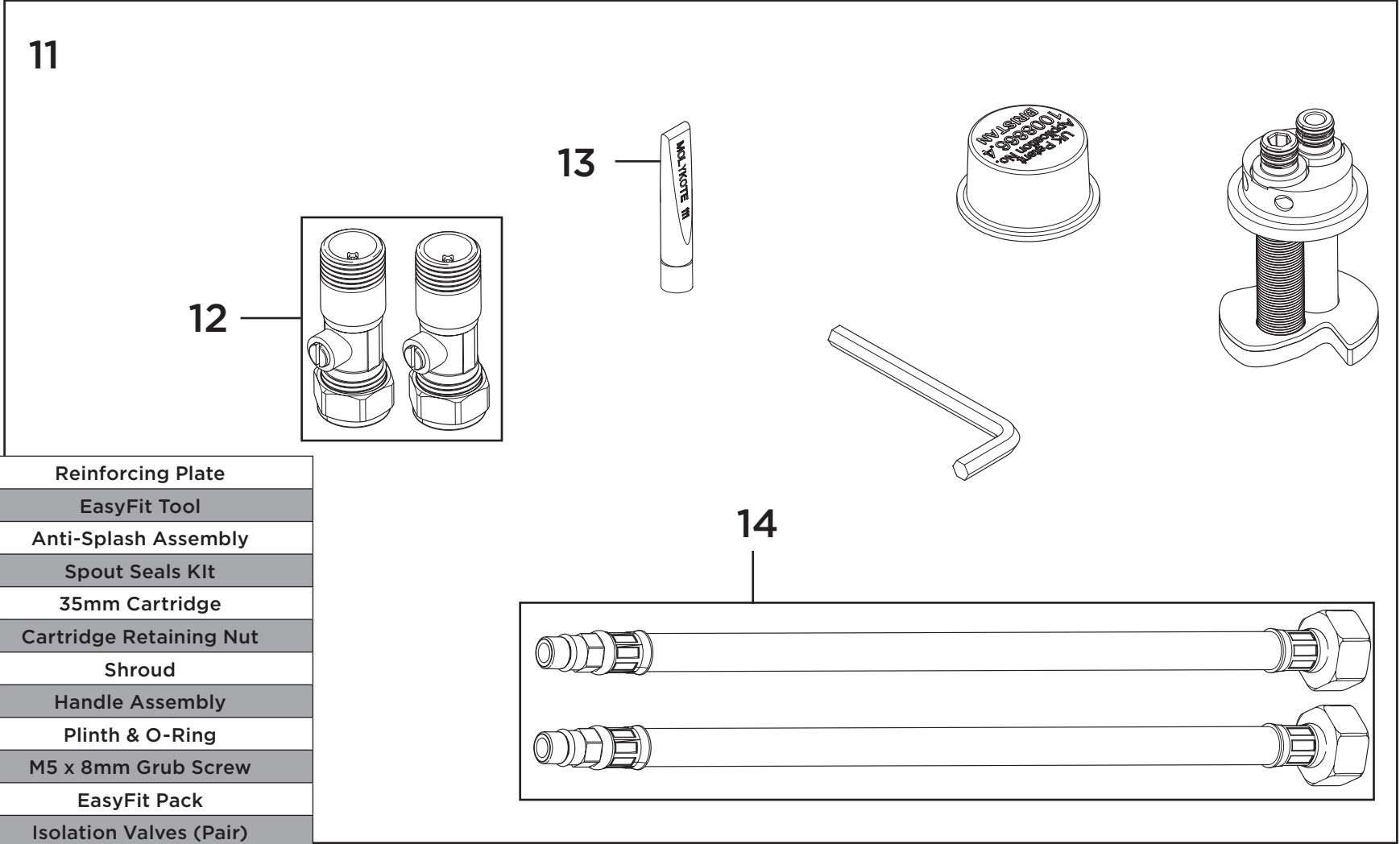


**Product Code:** CHM EFSNK C  
**Revision:** D3



1	Reinforcing Plate
2	EasyFit Tool
3	Anti-Splash Assembly
4	Spout Seals Kit
5	35mm Cartridge
6	Cartridge Retaining Nut
7	Shroud
8	Handle Assembly
9	Plinth & O-Ring
10	M5 x 8mm Grub Screw
11	EasyFit Pack
12	Isolation Valves (Pair)
13	Molykote Grease
14	1/2" BSP Flexible Tails (Pair)

**Product Code:** CHM EFSNK C  
**Revision:** D3



1	Reinforcing Plate
2	EasyFit Tool
3	Anti-Splash Assembly
4	Spout Seals Kit
5	35mm Cartridge
6	Cartridge Retaining Nut
7	Shroud
8	Handle Assembly
9	Plinth & O-Ring
10	M5 x 8mm Grub Screw
11	EasyFit Pack
12	Isolation Valves (Pair)
13	Molykote Grease
14	1/2" BSP Flexible Tails (Pair)