

IRSD1-CP

COMMERCIAL Tap Range Infra-Red Automatic Deck Mounted Soap Dispenser Chrome



Features:

- Non-touch control, using Infrared sensing technology, supports infection control measures
- Also available in Brushed Nickel finish
- Automatic switch off to save waste
- Mains or battery powered options
- Light in sensor flashes when battery is low
- This product should not be used to dispense alcohol-based hand sanitizer gels or liquids.

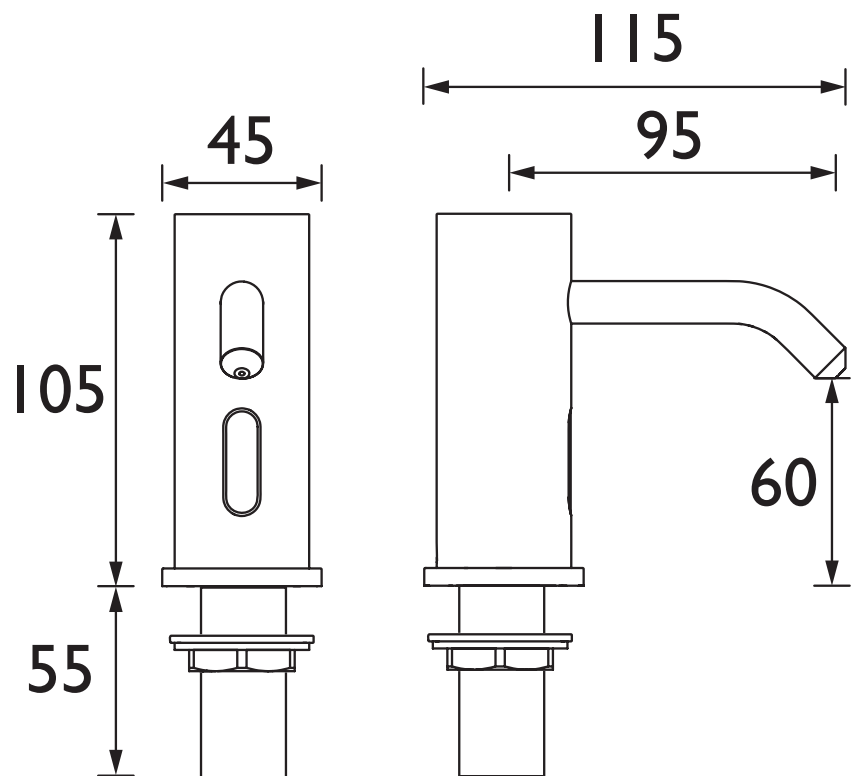
For more products, visit our website:
<http://www.bristan.com>



Specification

Product Type:	Commercial
Main Construction Material:	Brass
Mount Type:	Deck
Handle Type:	Infra-Red
Power Rating:	3 Amp Fuse, AC: 230V DC: 1.5V
Batteries Required:	4 AA Batteries (not supplied)
Number of Tap Holes:	1
Valve/Cartridge Type:	Solenoid Valve
Plumbing System Requirements:	Suitable for all plumbing systems
Sensing Range:	0 - 8cm
Activation Time:	0.5 - 1 secs
Viscosity of Liquid Soap:	100-3500cp (mpA .s)
Isolation Included:	No

Dimensions (measurements in mm)



TECHNICAL
DATA
SHEET



BRISTAN

D4