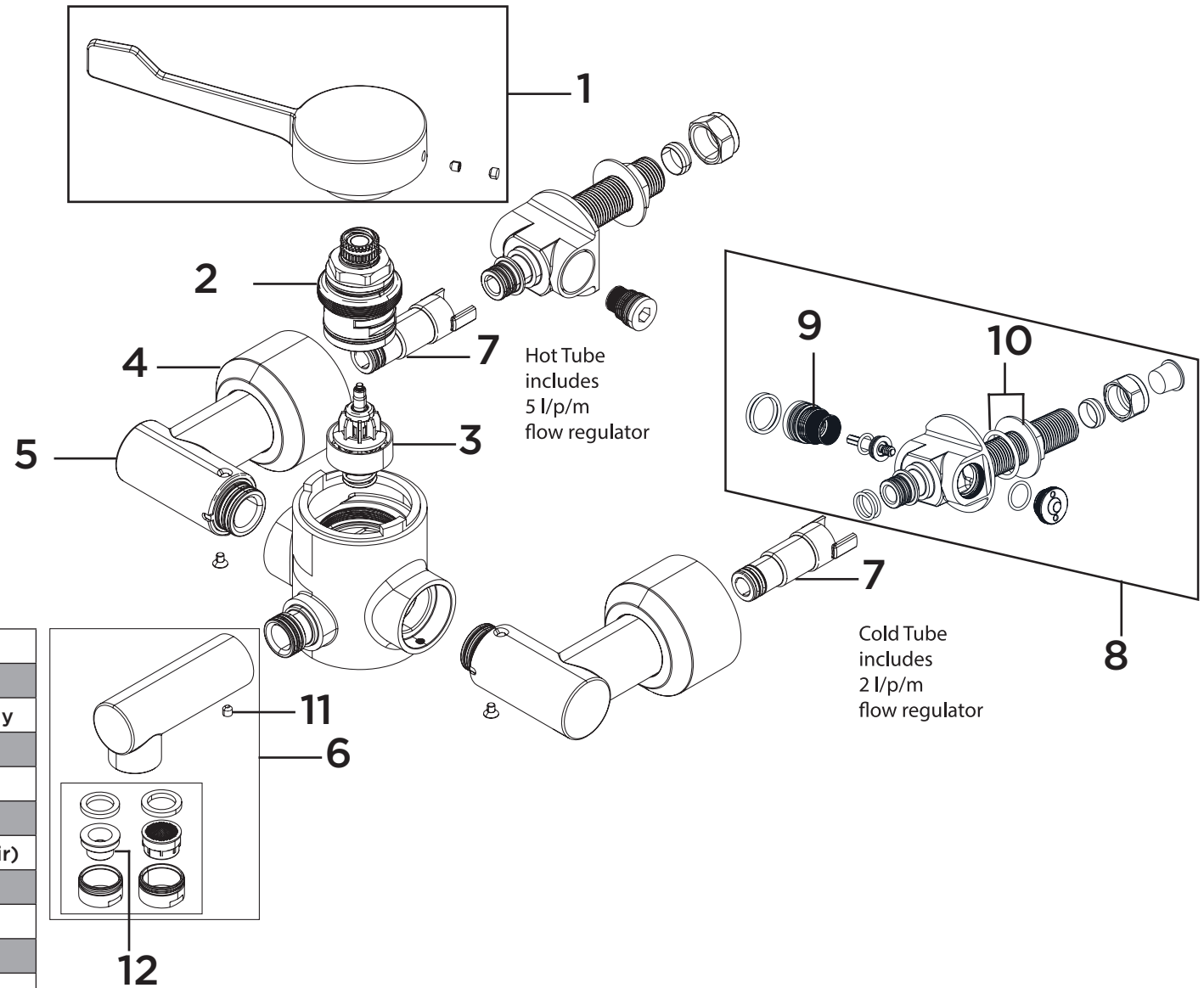


Product Code: H64WMT2

Revision: D3



Hot Tube
includes
5 l/p/m
flow regulator

Cold Tube
includes
2 l/p/m
flow regulator

1	Handle Assembly
2	Cartridge
3	Thermostat & Piston Assembly
4	Shroud (Pair)
5	Elbow (Pair)
6	Spout Assembly
7	Hot & Cold Internal Tubes (Pair)
8	Inlet Tail Assembly
9	Filters (Pair)
10	Backnut & Washers (Pair)
11	Grub Screw
12	Outlet