

TECHNICAL DATA SHEET

QUBE

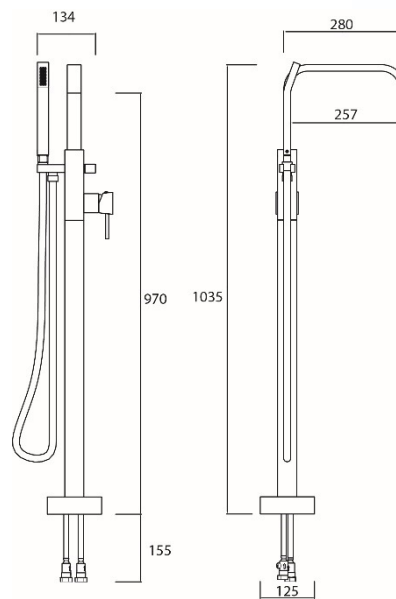
Floor Standing Bath Shower Mixer

Product Specification

Product Code:	QU FSBSM C
Finish:	Chrome
Product Type:	Contemporary
Construction:	Body is of Brass Construction and is designed to conform to BS EN 200
Valve Type:	40mm Cartridge
Supply:	Suitable for high pressure plumbing systems
Inlet Connections:	3/4" BSP
Water Pressure:	Min 2.0 bar, Max. 8.0 bar

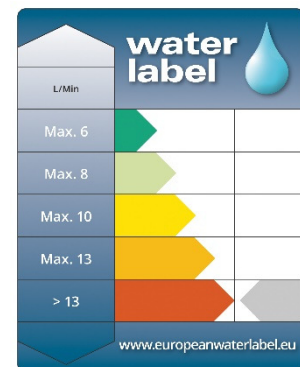
Additional Information

- Supplied with metal handles
- Includes 1.75m hose, handset holder and a single function rub clean handset
- Chrome plated to BS EN 248



Flow Rates (litres per minute)

System Pressure	2.0bar	3.0bar	4.0bar	5.0bar
Bath Filler (Mixed)	18.13	22.2	25.64	28.66
Through Handset	8.31	10.18	11.76	13.15



Technical Advice: For further information please call 0844 7016273 or email customercare@bristan.com

Guarantee: 5 years covering manufacturing faults.