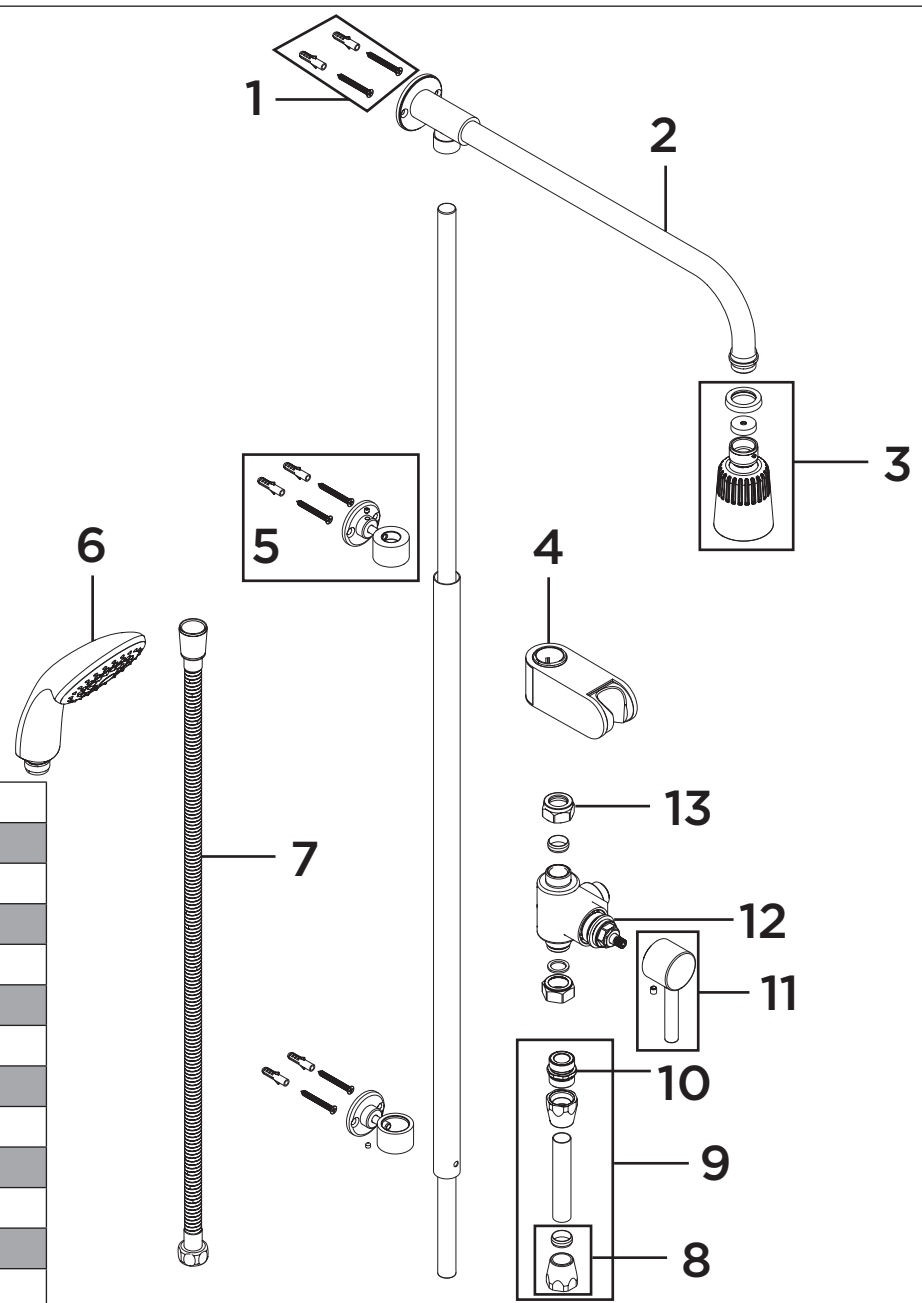


Product Code: DOCM-KIT
Revision: D2



1	Screw Pack
2	Wall Arm
3	Fixed Head
4	Slider
5	Wall Bracket
6	Handset
7	Hose
8	Cone Nut
9	Short Riser Assembly
10	Threaded Adaptor
11	Diverter Handle
12	Diverter Valve
13	Nut