

TECHNICAL DATA SHEET

GLORIOUS Bath Spout

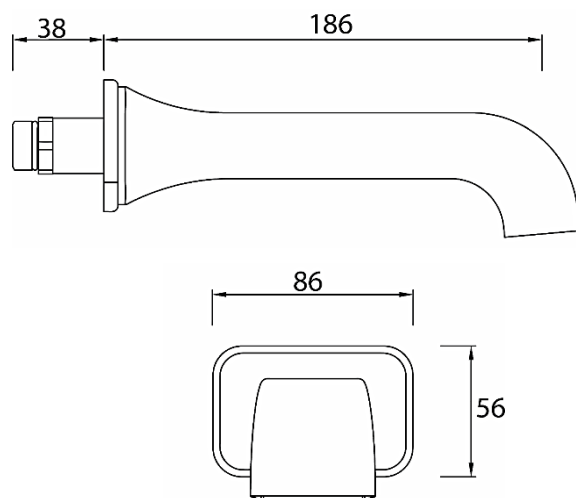
Product Specification

| | |
|--------------------|--|
| Product Code: | GLR BS C |
| Finish: | Chrome plated |
| Product Type: | Contemporary |
| Construction: | Bodies are of all brass construction and is designed to conform to BS EN 200 |
| Supply: | Suitable for all plumbing systems |
| Inlet Connection: | ½" BSP Threaded Tail |
| Working Pressures: | Min 0.2 Bar Max 5.0 Bar |



Additional Information

- Chrome plated to BS EN 248.



Flow Rates (litres per minute)

| System Pressure | 0.2 bar | 0.5 bar | 1.0 bar | 2.0 bar | 3.0 bar | 5.0 bar |
|-----------------|---------|---------|---------|---------|---------|---------|
| GLR BS C (cold) | 8.89 | 11.02 | 14.88 | 20.01 | 23.92 | 30.85 |

Technical Advice: For further information please call 0844 7016273 or email customercare@bristan.com.

Guarantee: 5 years covering manufacturing faults.