

# TECHNICAL DATA SHEET

## GLORIOUS 3 Hole Bath Filler

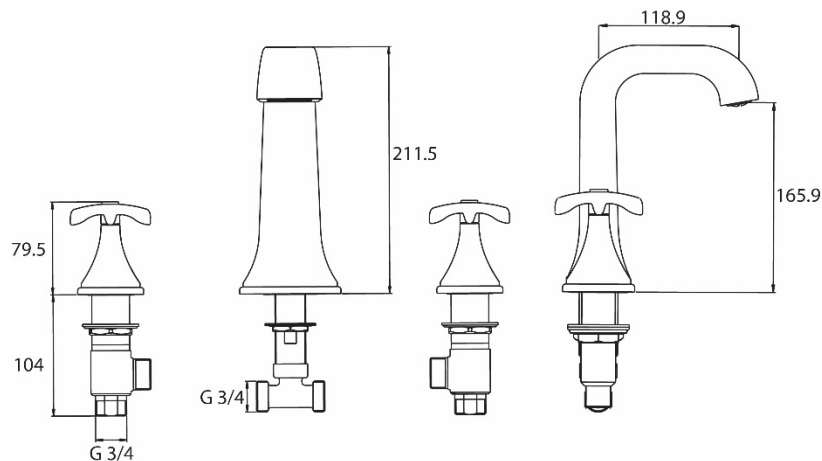
### Product Specification

Product Code:	GLR 3HBF C
Finish:	Chrome plated
Product Type:	Contemporary
Construction:	Bodies are of all brass construction and is designed to conform to BS EN 200
Valve Type:	¾" CD Valve ¼ Turn
Supply:	Suitable for all plumbing systems
Inlet Connection:	¾" BSP Threaded Tail
Working Pressures:	Min 0.3 Bar Max 5.0 Bar



### Additional Information

- Chrome plated to BS EN 248.
- Supplied with metal handles.



### Flow Rates (litres per minute)

System Pressure	0.3 bar	0.5 bar	1.0 bar	2.0 bar	3.0 bar	4.0 bar
GLR 3HBF C (mixed)	27.7	37.7	54.3	78.3	95.9	110.7

**Technical Advice:** For further information please call 0844 7016273 or email [customercare@bristan.com](mailto:customercare@bristan.com).

**Guarantee:** 5 years covering manufacturing faults.