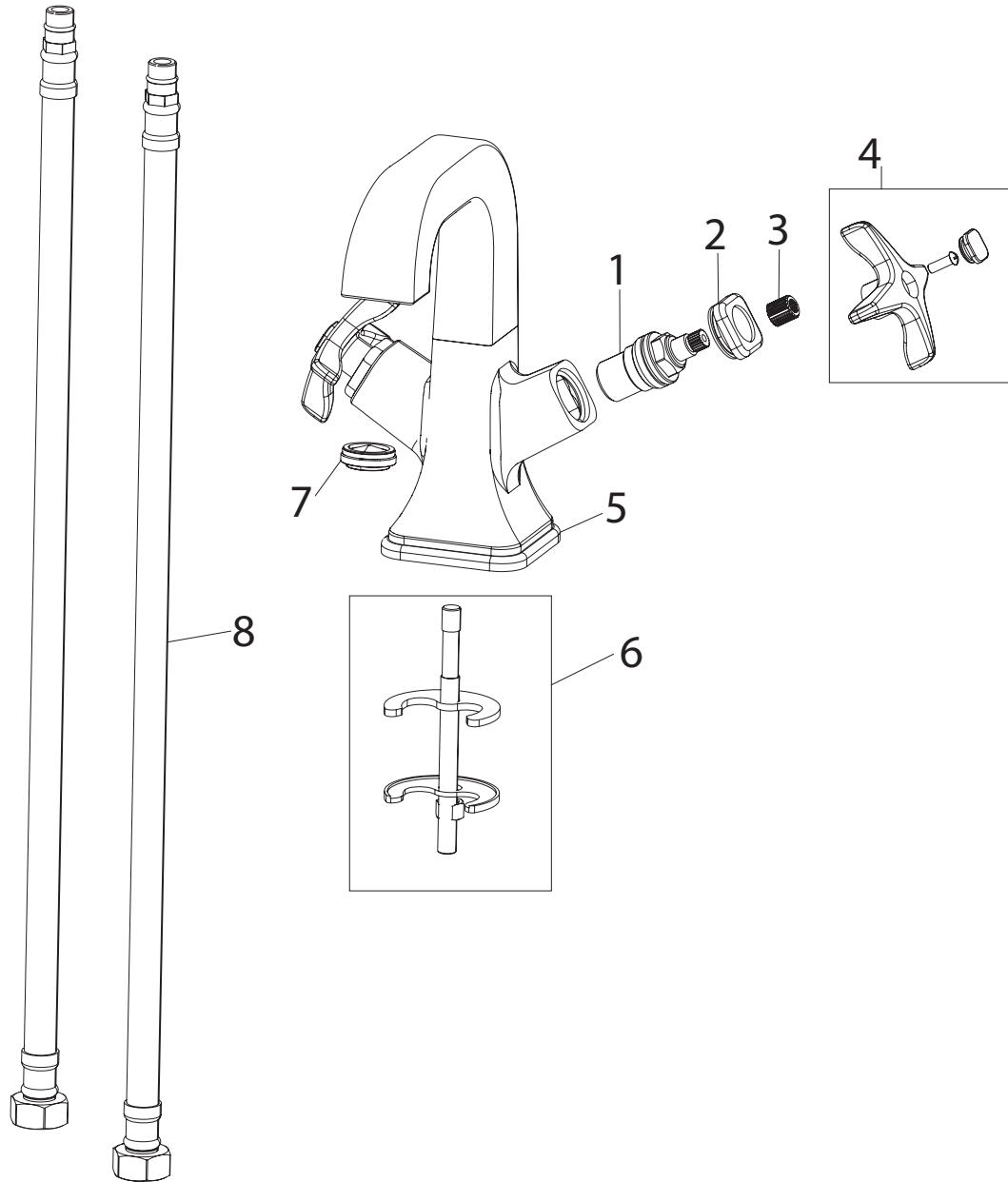


Product Code: GLR BAS C**Revision:** D2

1	Hot & Cold CD Valve
2	Shroud
3	Spline Adaptor
4	Handle Assembly
5	Plinth
6	Fixing Plate
7	Flow Regulator
8	M12 x 500mm Flexi Inlet