

DSC WMBF C

DESCENT Tap Range Descent Wall Mounted Bath Filler Chrome



Features:

- Long life and easy to use 1/4 turn ceramic disc valves
- Minimum working pressure of 0.5 bar
- 3/4" valve

Product Certifications:

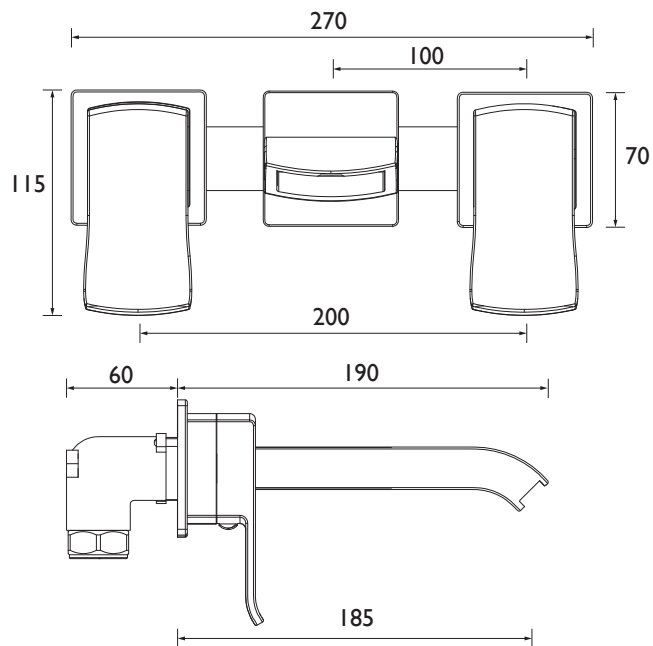
For more products, visit our website:
<http://www.bristan.com>



Specification

Product Type:	Bathroom Taps
Main Construction Material:	Brass
Mount Type:	Wall
Handle Type:	Square
Connection Inlet:	22mm Compression
Connection Outlet:	Open
Number of Tap Holes:	3
Valve/Cartridge Type:	3/4" Ceramic Disc Valve - 1/4 turn
Plumbing System Requirements:	Suitable for all plumbing systems
Minimum Dynamic Pressure (bar):	0.5 bar
Maximum Dynamic Pressure (bar):	5 bar
Maximum Hot Water Temperature °C:	60°C
Maximum Static Pressure (bar):	10 bar
Flow Type:	Single
Isolation Included:	No

Dimensions (measurements in mm)



Flow Rates (l/min)

System Pressure (bar)	0.5	1	2	3	4	5
DSC WMBF C (mixed)	22.4	32.5	45.2	55.4	63.9	71.4

TECHNICAL DATA SHEET



BRISTAN

D3