

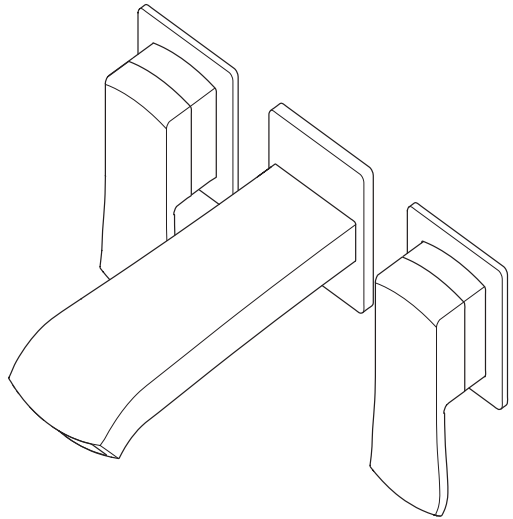
---

# BRISTAN

---

## Installation Instructions and User Guide

Descent Tap Range



### **Models Covered:**

DSC 3HBAS C, DSC 3HBF C,  
DSC WMBAS C, DSC WMBF C, DSC  
BS C

Please keep this booklet for future reference.

Installer, when you have read these instructions please ensure you leave them with the user.

# Contents

Thank you for choosing Bristan.

These fitting instructions have been created to give you all of the information you need for a safe and successful installation, so please read them thoroughly and retain for future reference.

If you need any further help, please do not hesitate to give us a call on 0330 026 6273.

## Contents

• Important Safety Information	3
• General Information	4
• Specifications	4
• Dimensions (mm)	5 - 7
• Installation Requirements	8
• Installation	9 - 11
• Maintenance	12
• Troubleshooting	13
• Guarantee	14
• Notes	15

# Important Safety Information

- **Please read these instructions thoroughly and retain for future use.**

- All products manufactured and supplied by Bristan are safe provided they are installed, used correctly and receive regular maintenance in accordance with these instructions.

- **If you are in any doubt about your ability to install this product safely you must employ the services of an experienced qualified plumber/electrically qualified person.**



- **Warning:** Do not operate the product if you suspect it is frozen. Do not site the product where it might be subjected to freezing conditions.

- These fittings need to be installed in accordance with, and meet the requirements of the Water Supply (Water Fittings) Regulations 1999 and current byelaws.

- Remove all packaging and check the contents for damage before starting installation

- Before starting any installation please consider the following: before drilling into walls, check that there are no hidden electrical wires, cables or water supply pipes. This can be checked with the aid of an electronic detector.

- If power tools are used do not forget to:

- Wear eye protection
- Unplug equipment after use

- Fitting isolating valves to the inlet feeds is required for ease of maintenance.



- **Warning:** Before installing the new spout it is essential that you thoroughly flush through the pipework in order to remove any remaining swarf, solder, etc. Failure to carry out this procedure could cause problems or damage to the workings of the spout.

- This product **must** not be modified in any way as this will invalidate the guarantee.

# General Information

This product has been designed to comply with BS EN 200 for combination taps to be used within systems designed to BS 6700.

BS 6700 recommends the temperature of stored water should never exceed 65°C. A stored water temperature of 60°C is considered sufficient to meet all normal requirements and will minimise the build up of lime scale in hard water areas.

If installing this product on a low pressure (tank fed) system please see specification table below to determine the minimum distance required from underside of the cold water tank to the outlet.

These taps and mixers should be installed in compliance with the Water Regulations. Where the supplies are unbalanced, i.e. Hot water from cylinder tank/cold from the mains, approved check valves must be fitted in the supply pipes.

For further details contact your Local Water Authority.

# Specifications

Product Code	Working Pressures		Inlet	Minimum distance from cold water tank to outlet (metres)
	Min	Max		
DSC 3HBAS C	0.2	5.0	15mm Compression Threaded Tail	2
DSC 3HBF C	0.4	5.0	3/4" BSP Threaded Tail	4
DSC WMBAS C	0.2	5.0	15mm Compression Threaded Tail	2
DSC WMBF C	0.5	5.0	22mm Compression Threaded Tail	5
DSC BS C	0.2	5.0	1/2" BSP Threaded Tail	2

Maximum static pressure: 10.0 bar

### System Requirements:

Gravity fed hot & cold (Equal pressures)

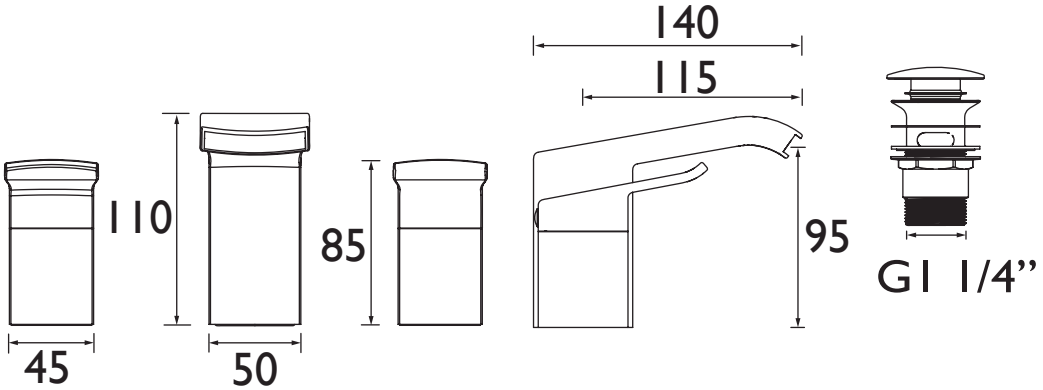
Gravity fed hot & cold (Differential pressure, maximum ratio 5:1)

Unvented systems

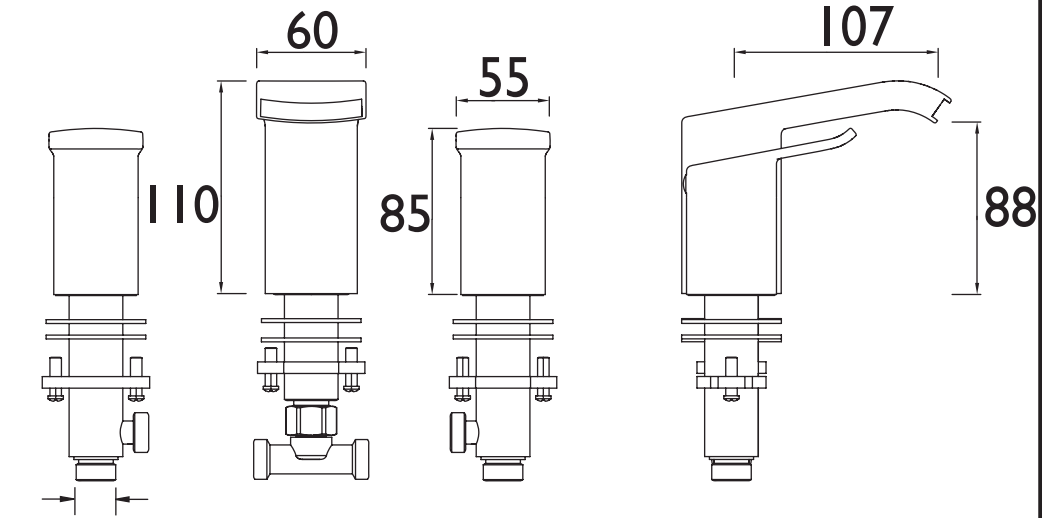
Instantaneous water heater (Combination boiler)

# Dimensions

## 3 Hole Basin Mixer



## 3 Hole Bath Filler

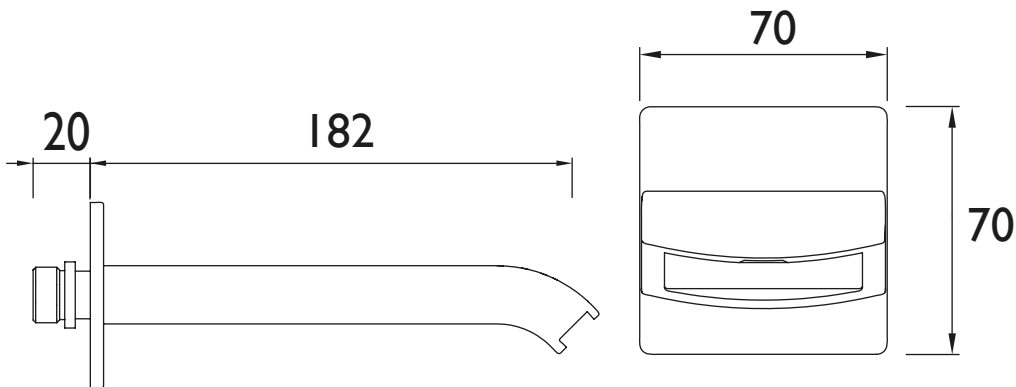


1/2" BSP

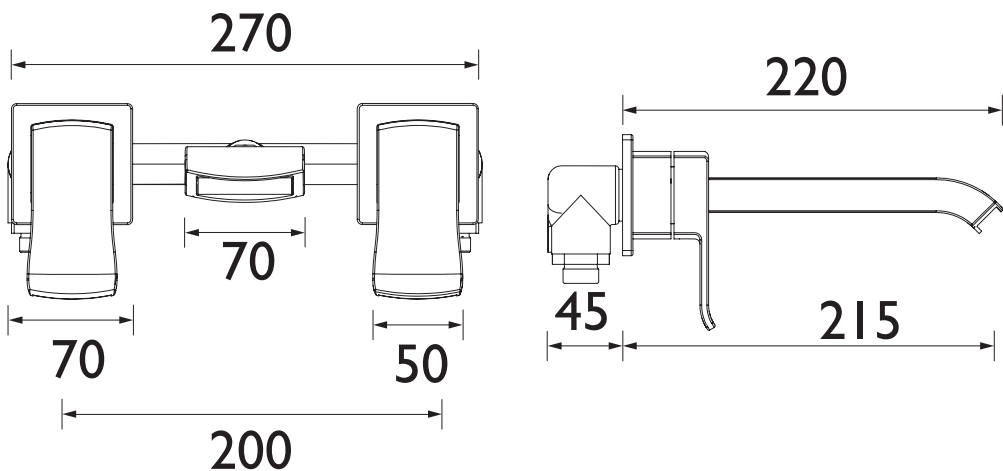
Dimensions are approximate and in millimetres.

# Dimensions Cont.

## Bath Spout



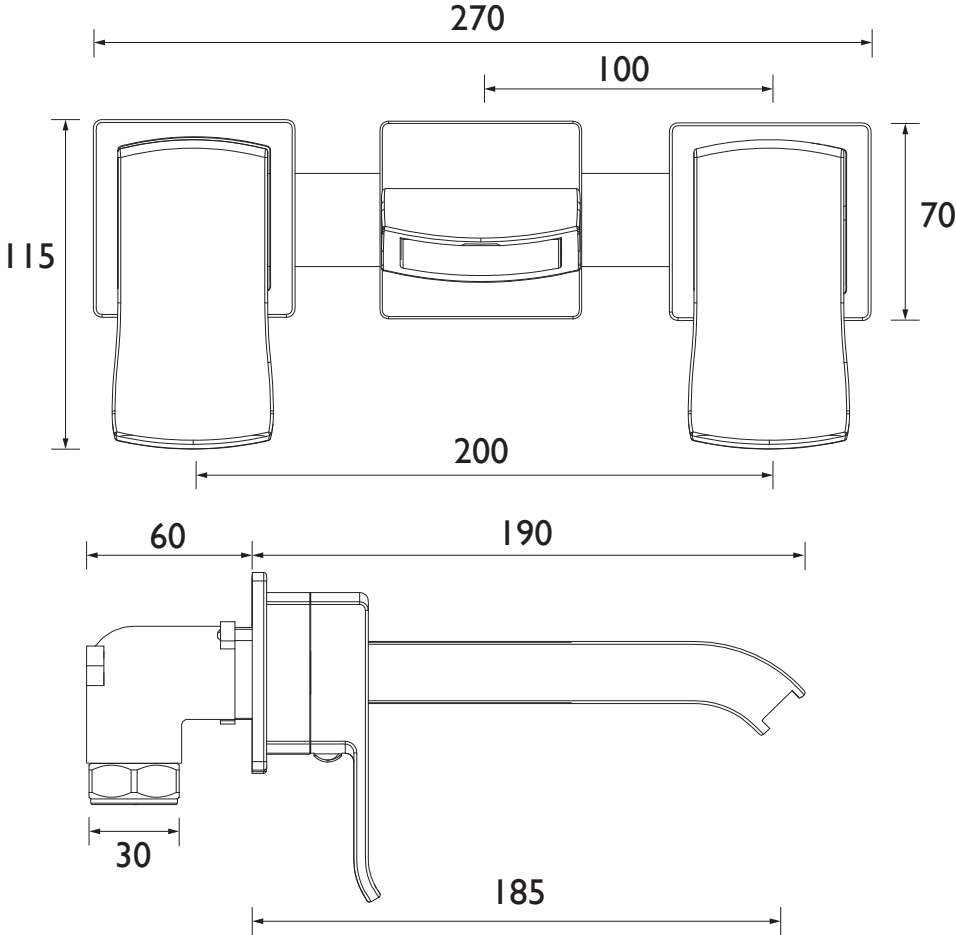
## Wall Mounted Basin Mixer



Dimensions are approximate and in millimetres.

# Dimensions Cont.

## Wall Mounted Bath Filler



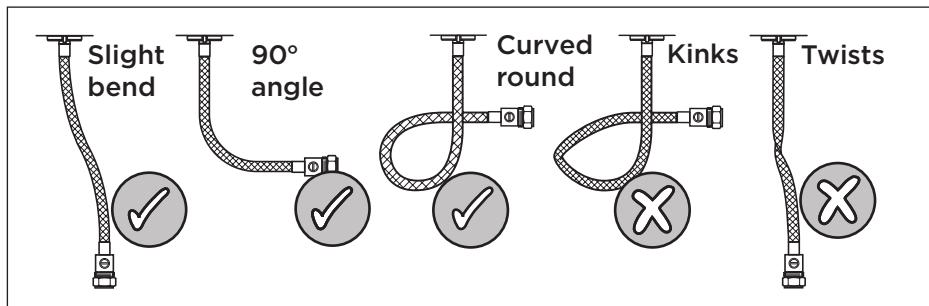
Dimensions are approximate and in millimetres.

# Installation Requirements

## Flexible Connecting Pipes

Care must be taken when connecting the flexible connection pipes to the household pipework to ensure they do not bend sharply and kink or twist.

See below for recommended ways to fit the flexible connecting pipes.



**⚠ Important:** Failure to follow these guidelines may result in poor performance and damage to the flexible connecting pipes.

**⚠ Important:** Full access must be made available on installation for future maintenance/ servicing purposes.



# Installation

## 3 Hole Basin Mixer/ Bath Filler

1. With the backnut, metal and rubber washer fitted to the side body threaded tail, put the side body through the hole in the basin / bath from underneath.

2. Screw the shroud, ensuring the washer is fitted between the shroud and basin / bath, onto the threaded tail and tighten backnut underneath onto the bottom of the basin/bath. The screws on the backnut allow for any uneven surfaces and should be tightened up to metal washer. Replace the handle, grub screw and the cap.

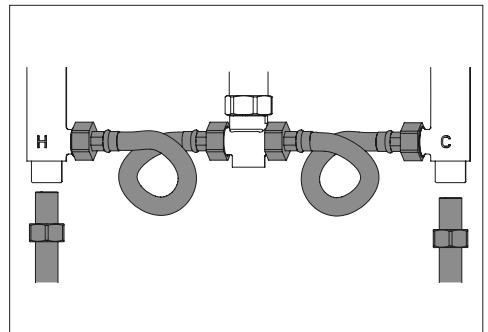
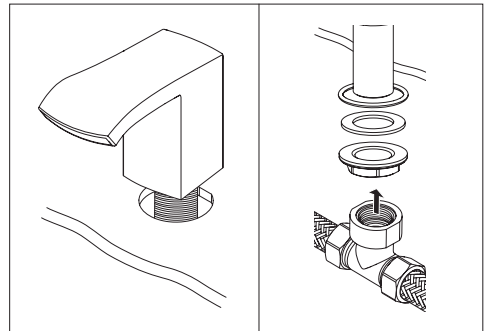
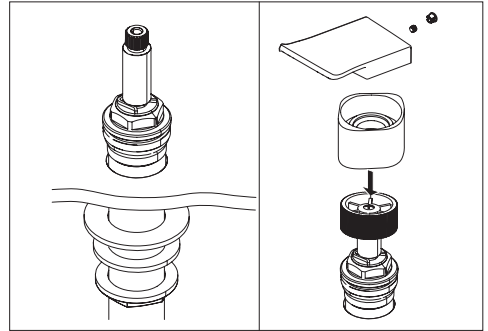
3. Fit the spout to the basin/bath tightening the backnut. The screws on the backnut allow for any uneven surfaces and should be tightened up to metal washer.

4. Attach the T-joint assembly and connect to the side bodies (hot on the left, cold on the right when viewed from the front), by using the flexi tails supplied.

5. Connect the hot and cold water supplies to the side bodies (hot to the left, cold on the right hand side), fully open both valves, letting the water flow for a few minutes to flush the system.

6. Fit the clicker waste (**basin mixer only**) ensuring the rubber washer is fitted between the basin and the waste. Place the other rubber washer under the basin and secure in place by tightening the backnut. In order to fill the basin, the button in the middle of the waste needs to be pressed down. To release the water, press the button again.

7. Check all joints and connections for leaks.



# Installation Cont.

## Wall Mounted Basin Mixer and Bath Filler

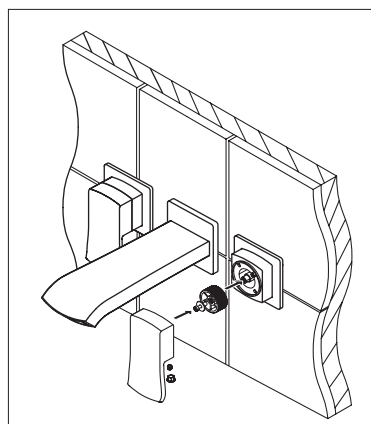
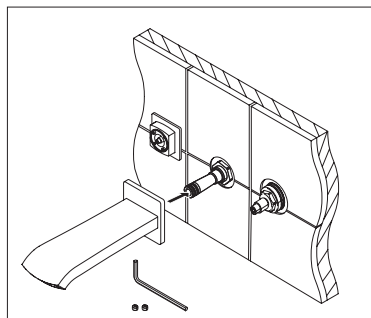
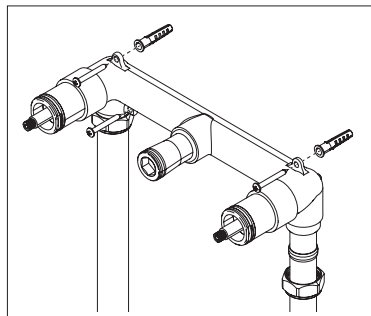
1. Decide on the final position of the basin mixer/bath filler. Install suitable batons into the wall cavity if required to support the tap body.
2. Plumb the hot and cold water supply pipes to the required position.
3. Secure mixer body using the screws and wall plugs supplied.
4. Attach the supply pipework to the hot and cold inlets (hot on the left and cold on the right when viewed from the front) ensuring the olive is fitted to the copper pipe work. Tighten the compression nut to secure the pipework and create a water tight seal.

**Note:** Before finishing the wall surface turn on both water supplies to check for any leaking connections.

5. Finish the wall surface.

**Note,** it is important that a sufficient amount of the spout connecting tube and valves are left exposed to allow the spout and valve shrouds to fit.

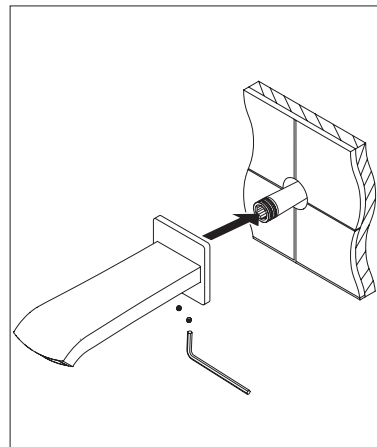
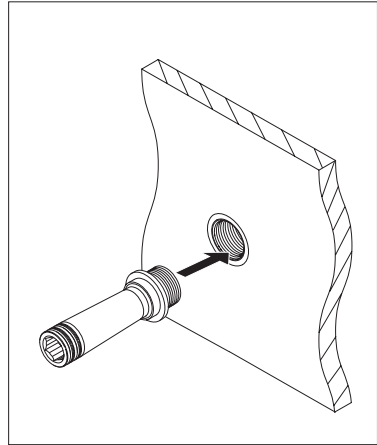
6. Fit the spout and tighten the grub screws to secure in position.
7. Screw the valve shrouds onto the valves using the screws supplied. Push the plinth over the shroud.
8. Fit the spline adaptors to the valve splines using the screws and washers supplied.
9. Push the handles onto the valve shrouds and tighten the grub screws.
10. Turn on both water supplies and operate the handle letting the water flow for a few minutes to flush the system.



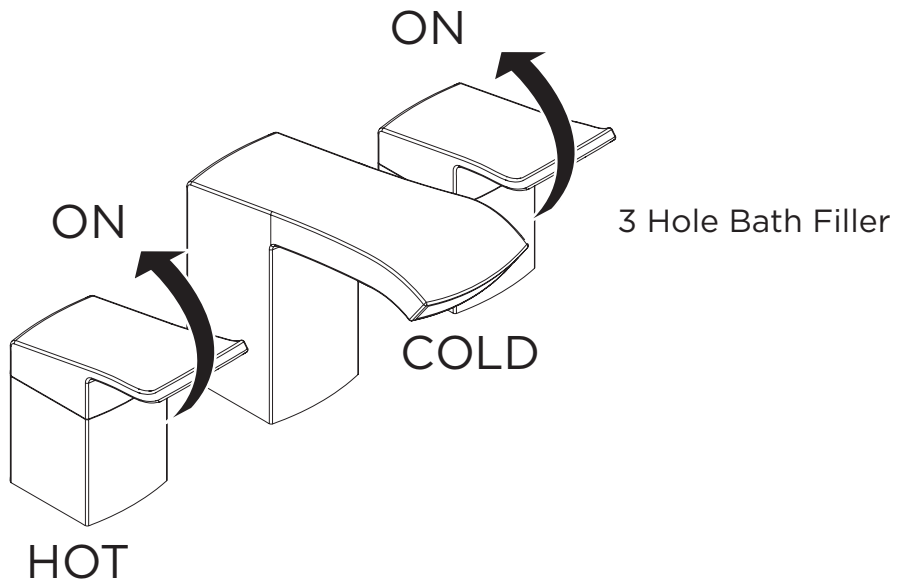
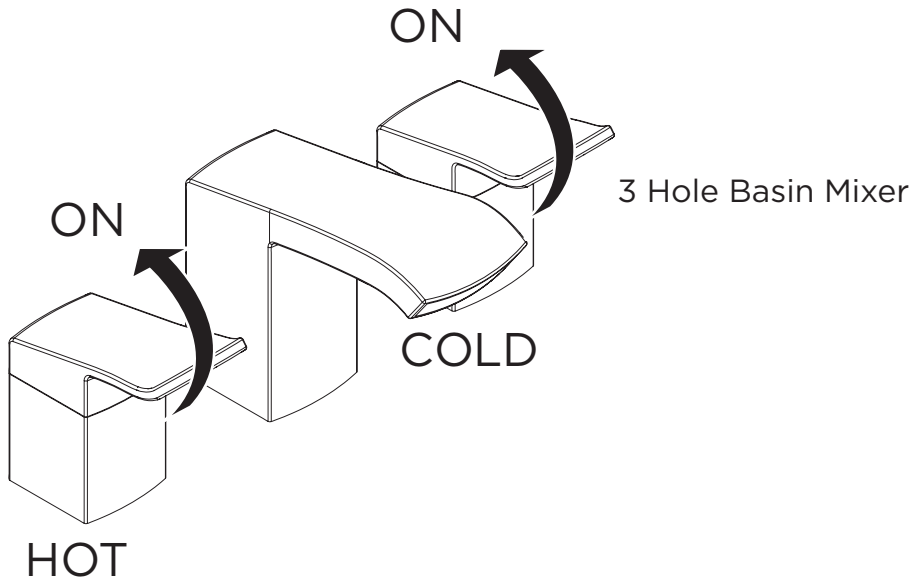
# Installation Cont.

## Bath Spout

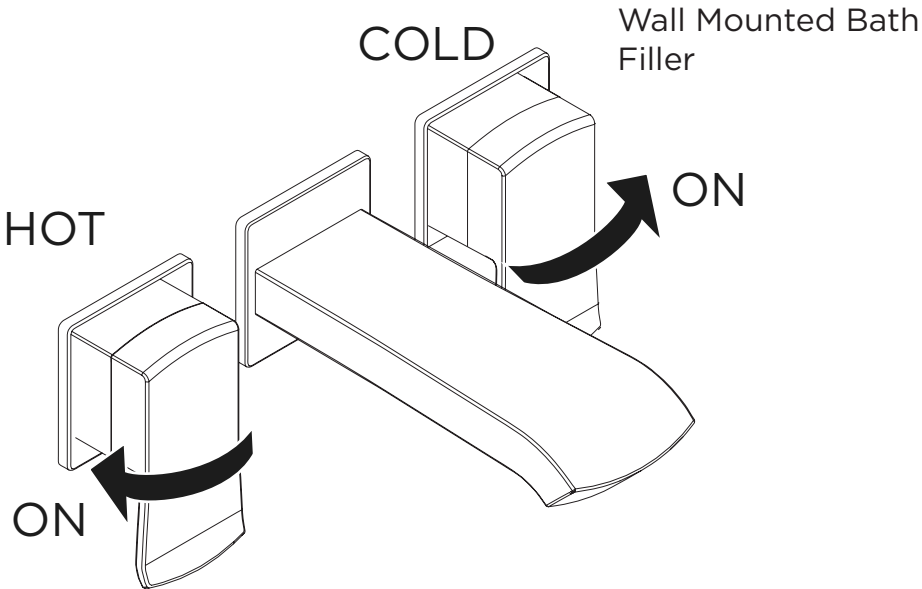
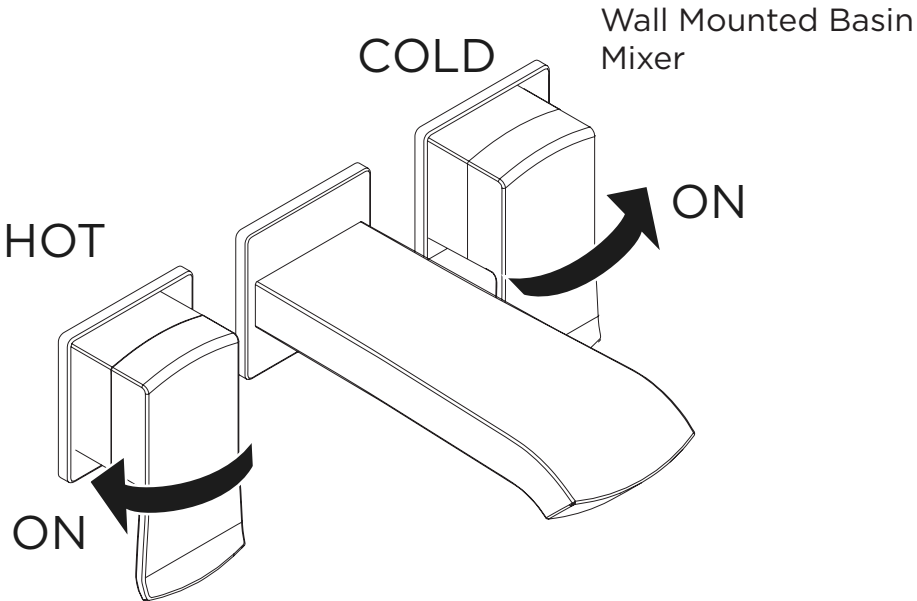
1. Terminate sufficient pipework inside the wall cavity to a 1/2" BSP female fitting ensuring pipework is fixed in position and rigid so that it is unable to move.
2. Screw the spout connecting tube into the female fitting (using a suitable thread sealant) ensuring the spout connecting tube is fully tightened.
3. Finish the wall surface and tile up to the spout connecting tube.
4. Push the spout and plate onto the spout connecting tube and secure in place by tightening the grub screw on the underside of the spout.
5. Turn on both water supplies letting the water flow for a few minutes.
6. Check all joints and connections for leaks.



# Operation



# Operation



# Maintenance

## General Cleaning

Bristan products are made from premium materials, with hand polishing and electroplated finishes.

Your taps or shower should be regularly cleaned with warm water, a mild pH-neutral liquid soap, and polished with a soft cloth. Any residues from soap, toothpaste, shampoos and shower gels can cause blemishes if not rinsed off straight after use.

Household bleaches and cleaners contain harsh chemicals and may damage the surface finish. Avoid using abrasive cloths, scouring pads, scrub sponges, steel wool or anything similar.

Some surfaces such as nickel and pewter may be affected by the dye found in some cloths, so it is also important to avoid hanging cloths on spouts.

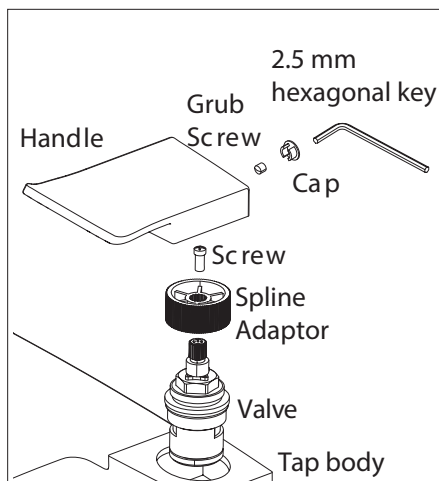
## Cleaning

Before carrying out any maintenance, turn off both water supply or close any isolating valves to the tap.

Prise out the handle cap, loosen the grub screw using a 2.5mm hexagonal key and remove the handle. Remove the spline adaptor. Remove the valve using the correct size spanner socket. Wash the valve with clean running water and make sure that any debris has been removed.

If necessary replace the valve using parts supplied by Bristan only.

Lightly grease the seal (only use silicone grease), replace the valve shroud, spline adaptor, screw and the handle. Tighten the grub screw and push fit the cap.



**⚠ Important:** Tighten the valve with a 17mm socket and apply appropriate force/torque. **Do not overtighten.**

# Troubleshooting

Symptom	Cause	Remedy
No flow or low flow rate	Partially closed isolation valve.	Open isolation valve.
	Instantaneous water heater cycles on and off as flow rate or pressure is too low.	Increase water flow rate or pressure through system to meet required minimum working pressure of tap.
	Head of water is below the minimum distance required.	Refer to 'Specifications' on page 5.
	Hot or cold water being drawn off elsewhere causing pressure changes or instantaneous boiler temperature changes.	Do not use other water outlets when using the taps.
	Airlock or partial blockage in the supply pipework.	Flush through pipework to ensure removal of debris and any airlocks.
Water dripping from taps	This is normal for a short time after using the taps.	This is caused by residual water tension, the build up of water in the tap body.
	If water continues to drip, possible build up of debris/limescale in ceramic disc valves.	Remove valves/cartridge and clean, refer to 'Maintenance' section before removing.
Taps do not turn on	Closed isolation valve.	Open isolation valve.
	Water supplies to the tap turned off.	Turn on both water supplies to the tap.

# Guarantee

At Bristan, we want to make things as easy as possible for our customers. That's why we offer solid guarantees on all our products, effective from the date of purchase, to give you peace of mind.

To start your free guarantee simply scan the QR code and register your product.

Alternatively visit [www.bristan.com/register](http://www.bristan.com/register) to register your product via a computer.

For full guarantee terms and conditions visit [www.bristan.com/guarantees](http://www.bristan.com/guarantees).





# Notes

---

**Issue: D3**

**Descent Taps**

---

# BRISTAN

---

**Bristan Group Ltd.**

**UK:** Bristan Group, B78 1SG.

**EU:** Masco Europe S.à.r.l.  
14 Rue Strachen  
6933 Mensdorf  
Luxembourg

**Customer Service:** +44330 026 6273

**Web:** [www.bristan.com](http://www.bristan.com)

**Email:** [enquire@bristan.com](mailto:enquire@bristan.com)

**A Masco Company**

At Bristan, we want to make things as easy as possible for our customers. That's why we offer solid guarantees on all our products, effective from the date of purchase, to give you peace of mind. To start your free guarantee simply scan the QR code and register your product. Alternatively visit [www.bristan.com/register](http://www.bristan.com/register).

For any other queries, please call our Customer Service on **0330 026 6273** where our expert team of advisors will be able to offer you any help and advice. For full guarantee terms and conditions visit [www.bristan.com/service-centre/guarantees](http://www.bristan.com/service-centre/guarantees).

