

# DSC 3HBAS C

## DESCENT Tap Range Descent 3 Hole Basin Mixer Chrome



### Features:

- Long life and easy to use 1/4 turn ceramic disc valves
- Metal fixing nut for added durability
- Includes clicker waste

### Product Certifications:



WRAS Cert. Number: 2304906  
WRAS Expiry Date: 30/04/2028



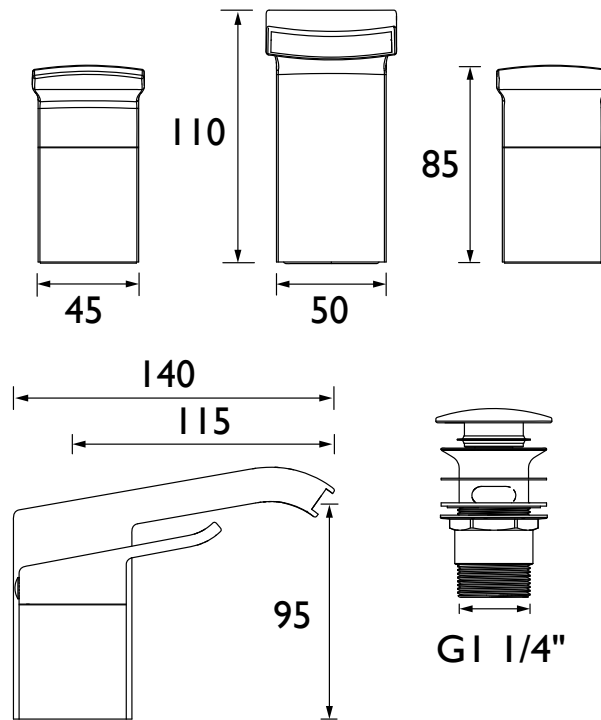
For more products, visit our website:  
<http://www.bristan.com>



### Specification

Product Type:	Bathroom Taps
Main Construction Material:	Brass
Mount Type:	Deck
Handle Type:	Square
Connection Inlet:	15mm Compression Threaded Tails
Connection Outlet:	Open
Number of Tap Holes:	3
Valve/Cartridge Type:	1/2" Ceramic Disc Valve - 1/4 turn
Plumbing System Requirements:	Suitable for all plumbing systems
Minimum Dynamic Pressure (bar):	0.2 bar
Maximum Dynamic Pressure (bar):	5 bar
Maximum Hot Water Temperature °C:	65°C
Maximum Static Pressure (bar):	10 bar
Flow Type:	Single
Isolation Included:	No

### Dimensions (measurements in mm)



### Flow Rates (l/min)

System Pressure (bar)	0.2	0.5	1	2	3	5
DSC 3HBAS C (mixed)	6.7	10.5	14.9	21.1	25.8	33.3

## TECHNICAL DATA SHEET



# BRISTAN

D7