

DSC BAS C

DESCENT Tap Range Descent Basin Mixer Chrome



Features:

- Everything you need in the box including flexible tails and clicker waste so nothing to buy separately.
- Long life ceramic cartridge for added durability and smooth control.
- A hard-wearing, flawless, scratch resistant chrome finish that lasts for years. Salt spray tested to ensure added durability.
- 10 year parts and 1 year labour guarantee for peace of mind.
- Co-ordinating Bathroom taps, Recess shower and Accessories available.

Product Certifications:



WRAS Cert. Number: 2304901
WRAS Expiry Date: 30/04/2028



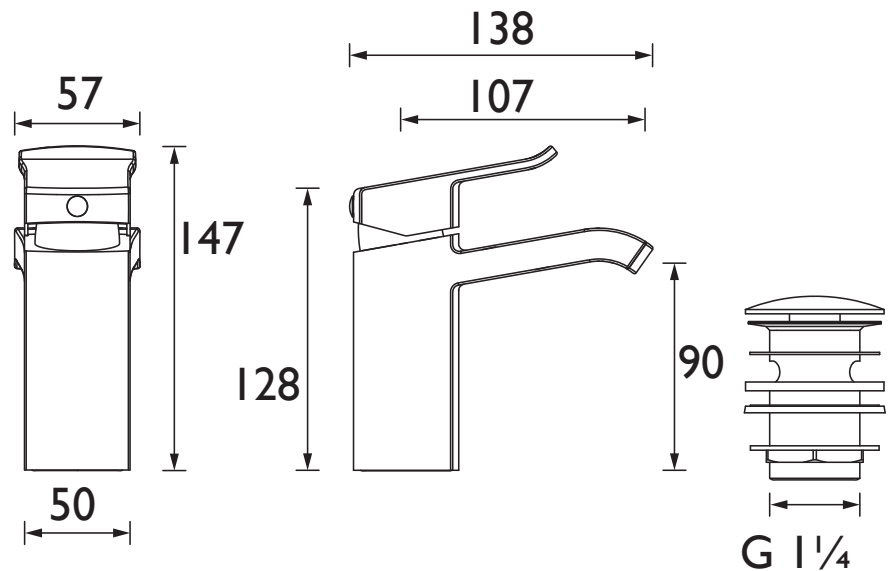
For more products, visit our website:
<http://www.bristan.com>



Specification

| | |
|-----------------------------------|-----------------------------------|
| Product Type: | Bathroom Tap |
| Main Construction Material: | Brass |
| Mount Type: | Deck Mounted |
| Handle Type: | Lever Handle |
| Connection Inlet: | M10x400mm x 1/2BSP Flexi Tails |
| Connection Outlet: | Open |
| Number of Tap Holes: | 1 |
| Valve/Cartridge Type: | 35mm Cartridge |
| Plumbing System Requirements: | Suitable for all plumbing systems |
| Minimum Dynamic Pressure (bar): | 0.2 bar |
| Maximum Dynamic Pressure (bar): | 5.0 bar |
| Maximum Hot Water Temperature °C: | 65°C |
| Maximum Static Pressure (bar): | 10 bar |
| Flow Type: | Single Flow |
| Isolation Included: | No |

Dimensions (measurements in mm)



Flow Rates (l/min)

| System Pressure (bar) | 0.2 | 0.5 | 1 | 2 | 3 | 5 |
|-----------------------|-----|-----|-----|------|----|------|
| DSC BAS C (mixed) | 4.4 | 6.9 | 9.8 | 13.9 | 17 | 21.9 |

TECHNICAL DATA SHEET



BRISTAN

D8