

TECHNICAL DATA SHEET

FLUTE

3 Hole Bath Filler

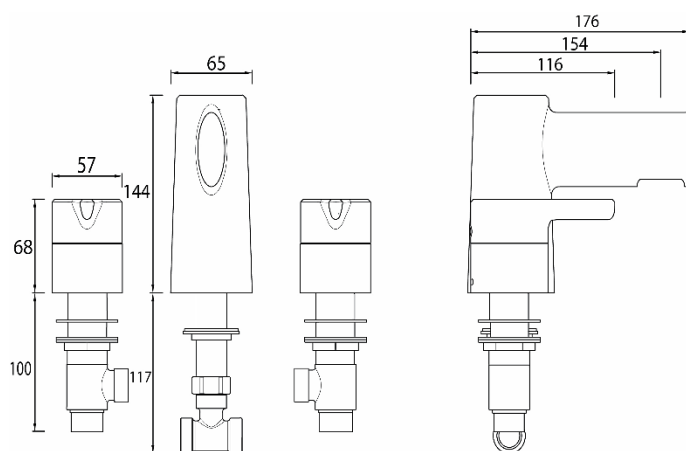
Product Specification

Product Code:	FLT 3HBF C
Finish:	Chrome plated
Product Type:	Contemporary
Construction:	Bodies are of all brass construction and is designed to conform to BS EN 200
Valve Type:	3/4" CD Valve 1/4 Turn
Supply:	Suitable for all plumbing systems
Inlet Connection:	3/4" BSP Threaded Tail
Working Pressures:	Min 0.5 Bar Max 5.0 Bar



Additional Information

- Chrome plated to BS EN 248.
- Supplied with metal handles.



Flow Rates (litres per minute)

System Pressure	0.5 bar	1.0 bar	2.0 bar	3.0 bar	4.0 bar
FLT 3HBF C (mixed)	29.0	40.5	57.2	70.5	81.4

Technical Advice: For further information please call 0844 7016273 or email customer@bristan.com.

Guarantee: 5 years covering manufacturing faults.