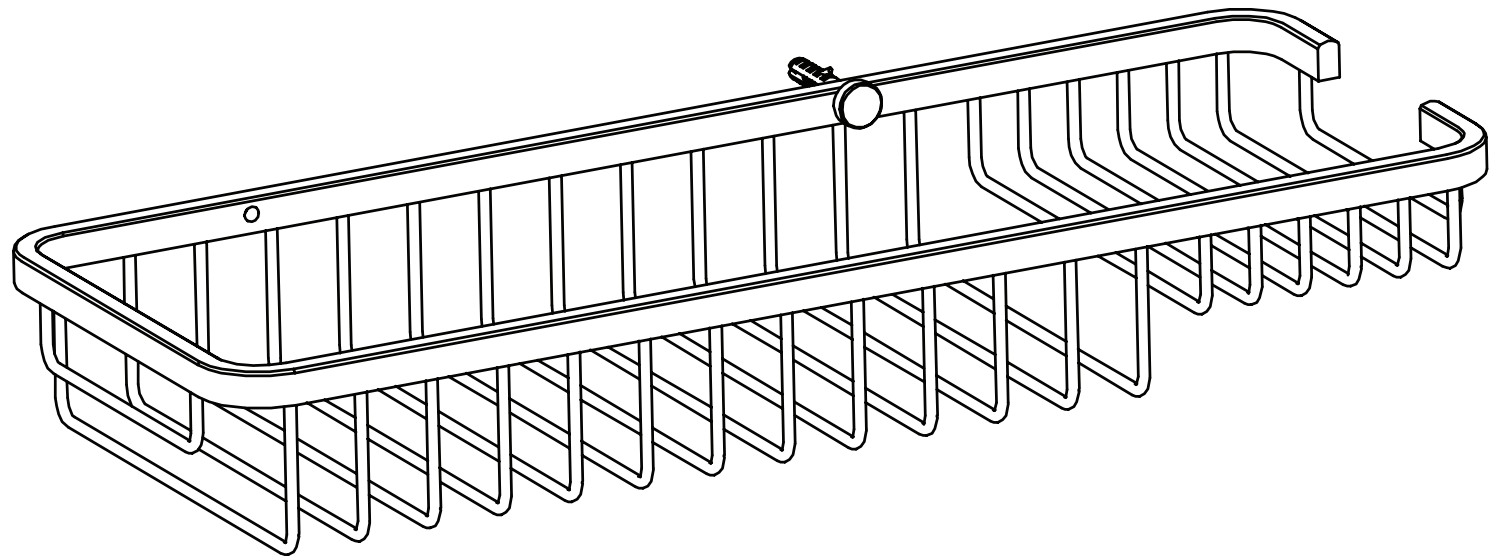
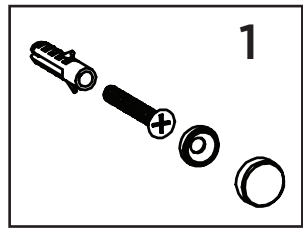


**Product Code:** COMP BASK02 C

**Revision:** D1



1

Fixing Kit