

TECHNICAL DATA SHEET

OVAL One Hole Bath Filler

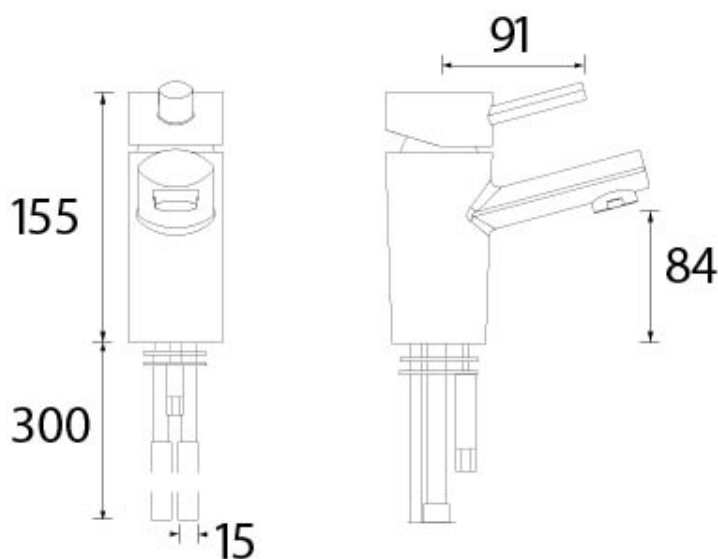
Product Specification

Product Code:	OL 1HBF C
Finish:	Chrome
Product Type:	Contemporary
Construction:	Body is of brass construction and is designed to conform to BS EN 817
Cartridge Type:	35mm ceramic disc cartridge
Supply:	Suitable for all plumbing systems
Inlet Connections:	½" BSP
Working Pressures:	Min 0.2bar, Max 8.0bar



Additional Information

- Supplied with metal handle.
- Metal fixing nut.
- Chrome plated to BS EN 248.



Flow Rates (litres per minute)

System Pressure	0.2bar	0.5bar	1bar	2bar	3bar	5bar
	16.8	26.8	38.2	54.0	66.1	85.4

Technical Advice: For further information please call 0844 7016273 or email customer@bristan.com

Guarantee: 5 years covering manufacturing faults.