

FLT 3HBAS C

FLUTE Tap Range Flute 3 Hole Basin Mixer Chrome



Features:

- Brass Construction
- 3 Tap Holes
- 1/2" CD Valve

Product Certifications:



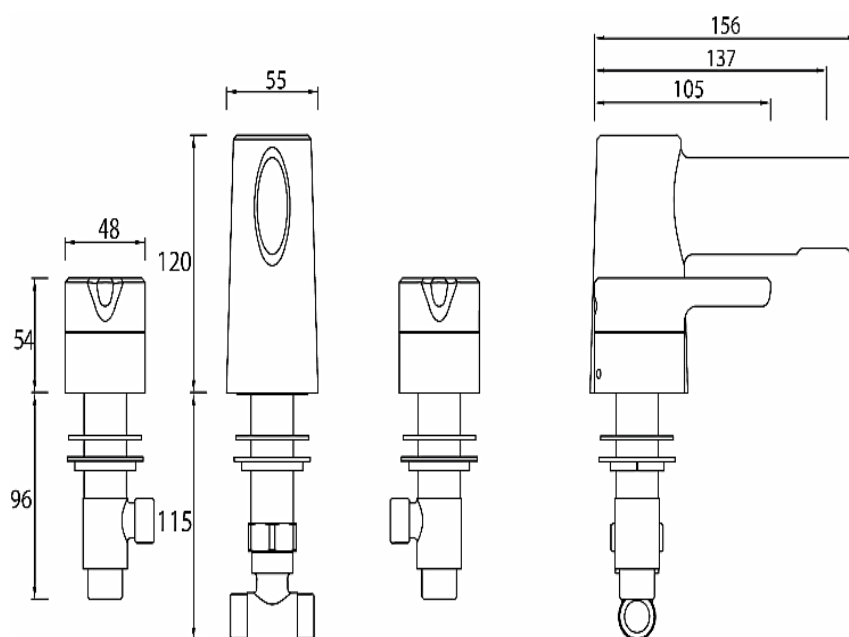
For more products, visit our website:



Specification

Style:	Contemporary
Product Type:	Bathroom Taps
Finish/Colour:	Chrome
Main Construction Material:	Brass
Mount Type:	Deck Mounted
Handle Type:	Lever
Connection Inlet:	15mm Compression Threaded Tail
Number of Tap Holes Required:	3
Valve/Cartridge Type:	1/2" CD Valve 1/4 Turn
Plumbing System Suitability	All
Working Pressure Range:	Min 0.2, Max 5.0
Maximum Hot Water Temperature: °c	60
Maximum Dynamic Pressure: (bar)	5
Maximum Static Pressure: (bar)	10
Flow Type:	Single
Flow Rate: (l/min @ 3 bar)	33.2
Connection Outlet:	N/A
Isolation Included:	No

Dimensions (measurements in mm)



Flow Rates (l/min)

System Pressure (bar)	0.2	0.5	1	2	3	5
FLT 3HBAS C	7.8	13.1	18.9	26.8	33.2	38.6

TECHNICAL
DATA
SHEET



BRISTAN
TAPS & SHOWERS

D2