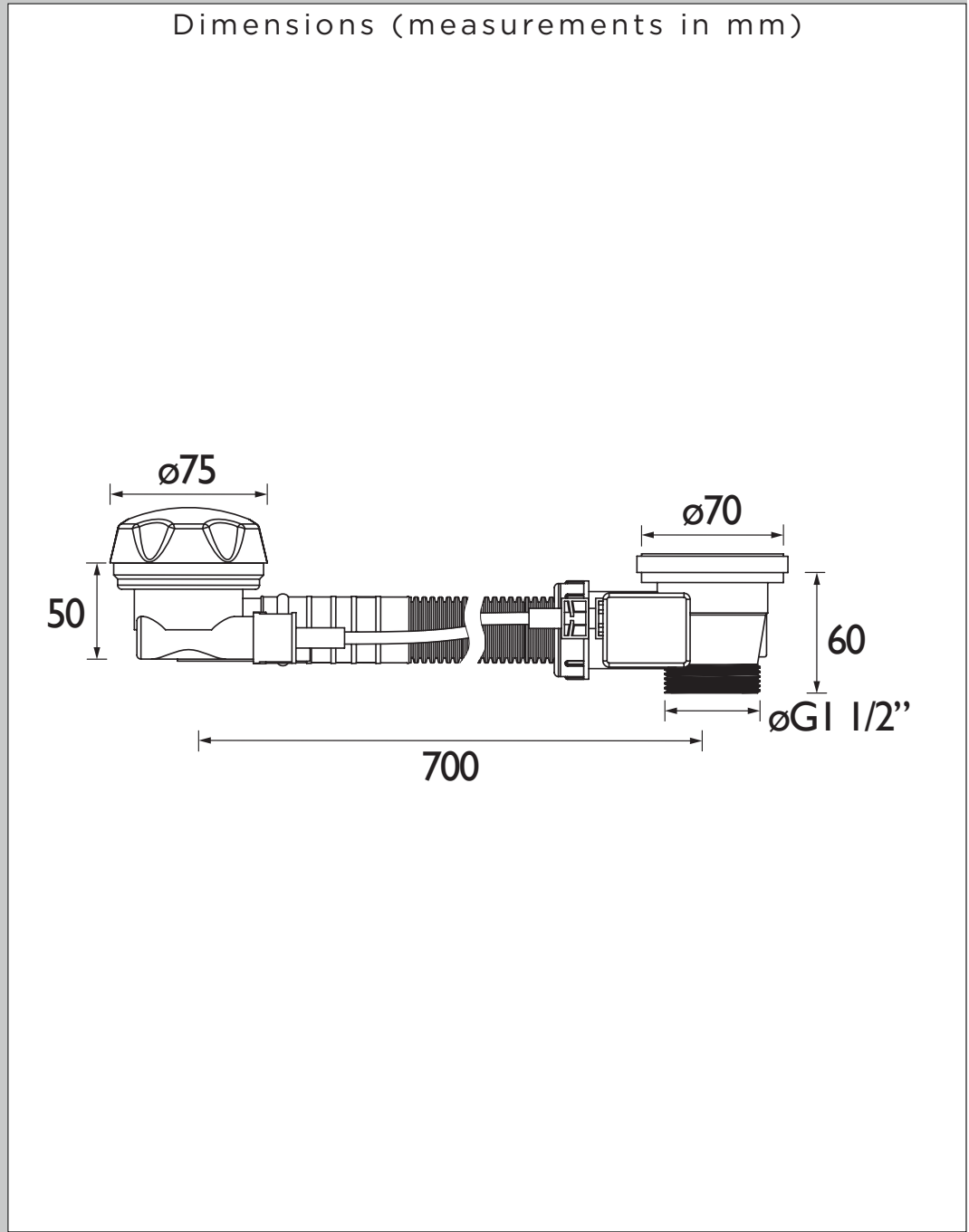


W BATH06 C

Accessories Round Pop-Up Bath Waste with Overflow Chrome



| Specification | |
|--------------------------------|--------------------------|
| Main Construction Material: | Brass & ABS Plastic |
| Connection Inlet: | G 1 1/2" |
| Connection Outlet: | N/A |
| Contemporary or Traditional: | Contemporary |
| Finish Colour: | Chrome |
| Working Pressure Range (bar): | Min 0.2 bar, Max 5.0 bar |
| Maximum Static Pressure (bar): | 10 |



Features:

- Solid brass construction
- Cable length is 590mm

Product Certifications:

For more products, visit our website:
<http://www.bristan.com>



TECHNICAL
DATA
SHEET



BRISTAN
TAPS & SHOWERS D2