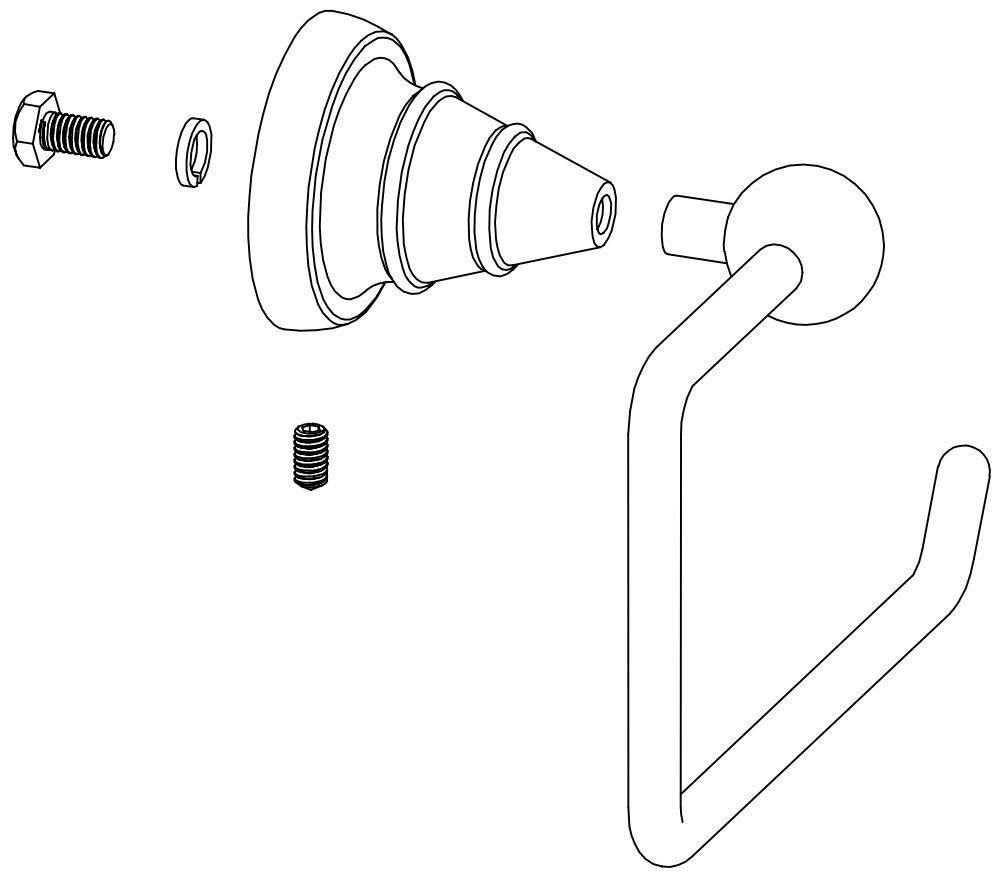
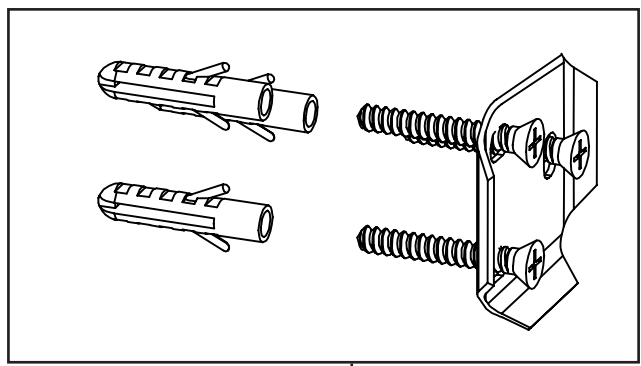


Product Code: N2 ROLL C

Revision: D1



1	Fixing Kit
---	------------