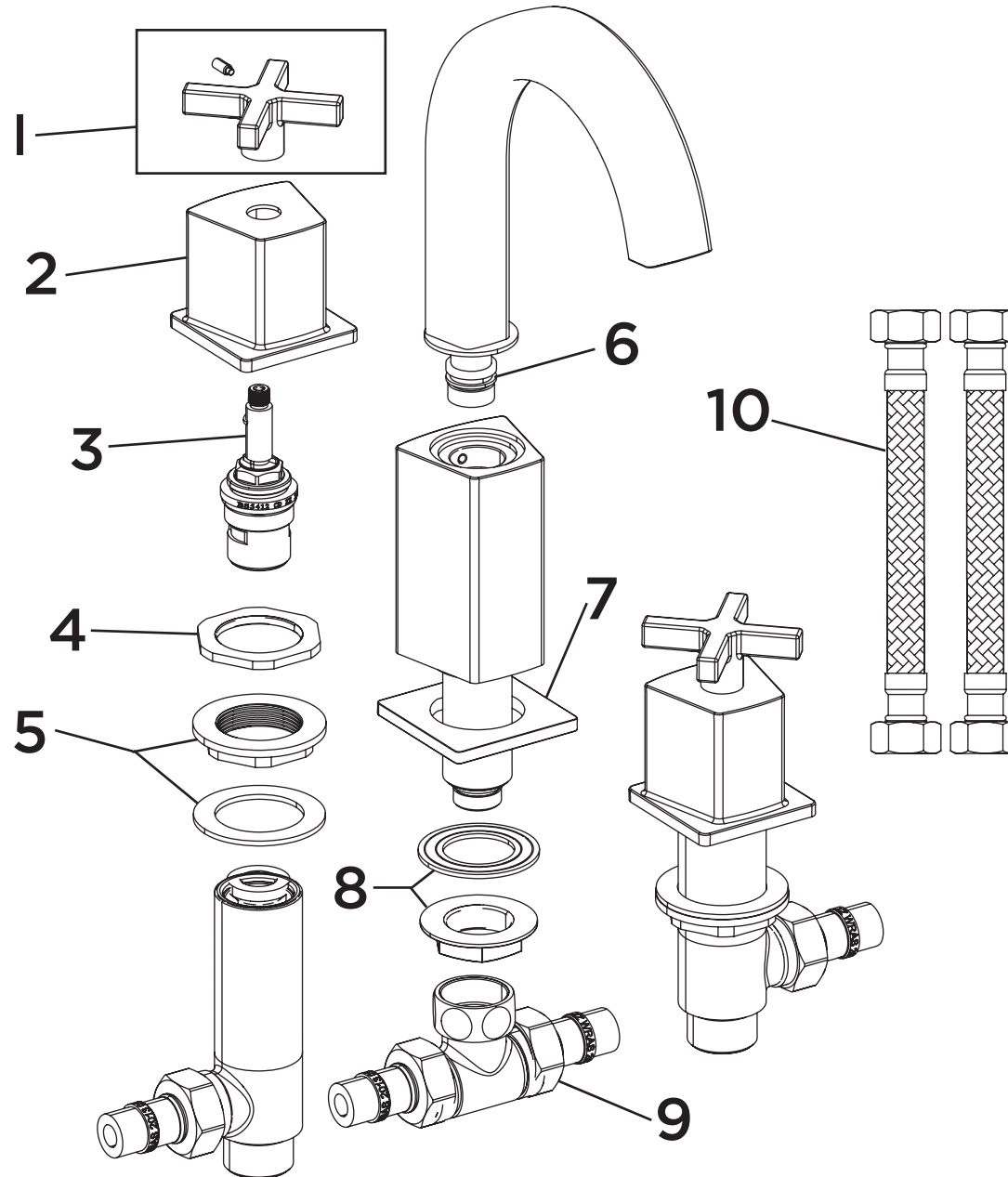


**Product Code:** CAS 3HBF C

**Revision:** D2



1	Handle Assembly (Pair)
2	Shroud
3	Cartridge
4	Locking Nut
5	Backnut & Washer
6	Spout O Ring
7	Plinth
8	Backnut & Washer
9	T Joint Assembly
10	Flexi Connecting Pipes