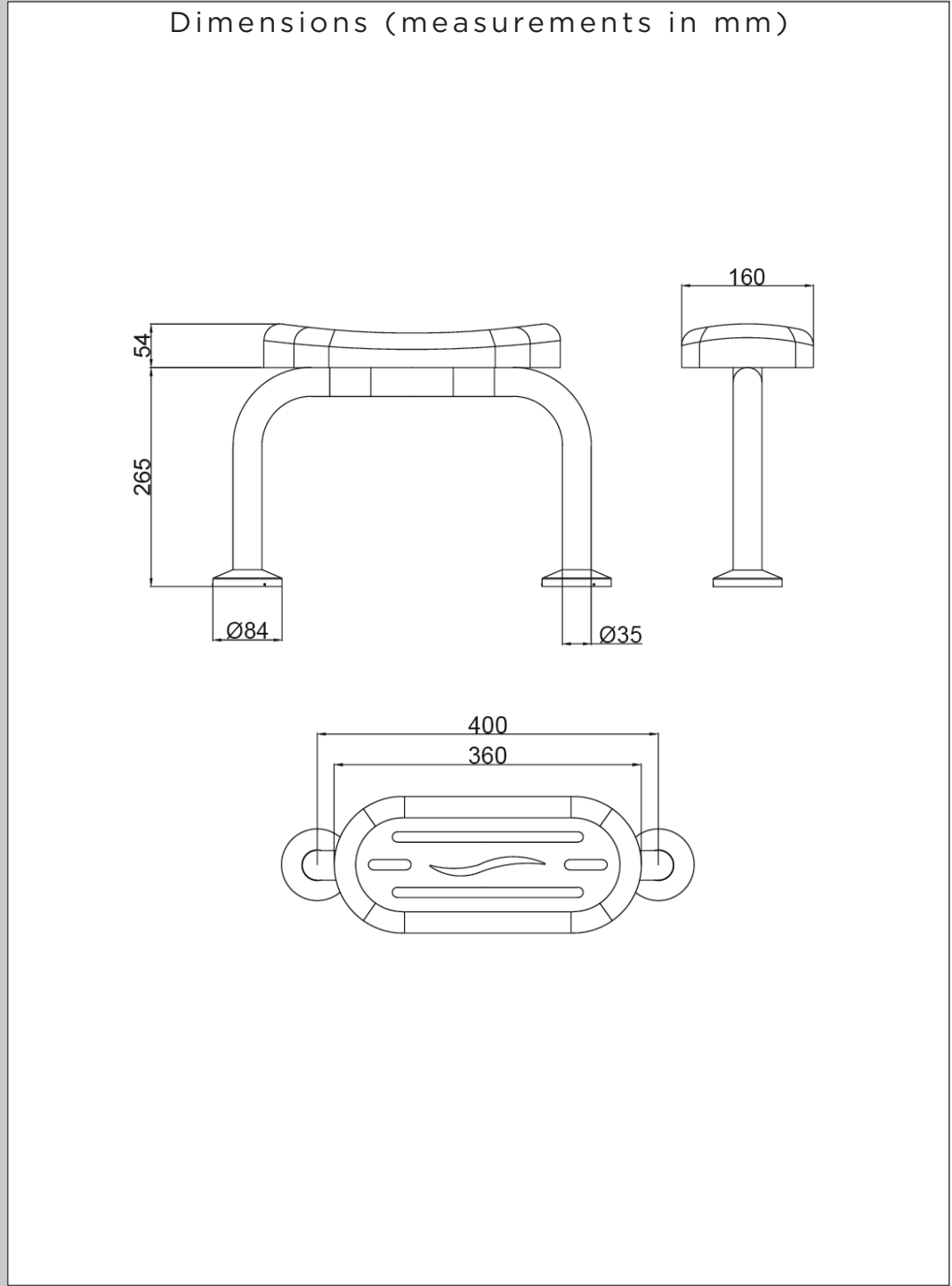


# BRPAD W

## Accessories Aluminium Back Rest Rail and Pad DocM Compliant White Finish



Specification	
Main Construction Material:	Alluminium
Connection Inlet:	N/A
Connection Outlet:	N/A
Contemporary or Traditional:	Traditional
Maximum User Weight:	190kg



### Features:

- Non corrosive aluminium construction
- Durable wipe clean pad
- No electrical earthing required
- 190kg max user weight requirements
- Also available in grey (RAL 7005) and stainless steel finishes as special order

### Product Certifications:

For more products, visit our website:  
<http://www.bristan.com>



**TECHNICAL  
DATA  
SHEET**



**BRISTAN**

D2