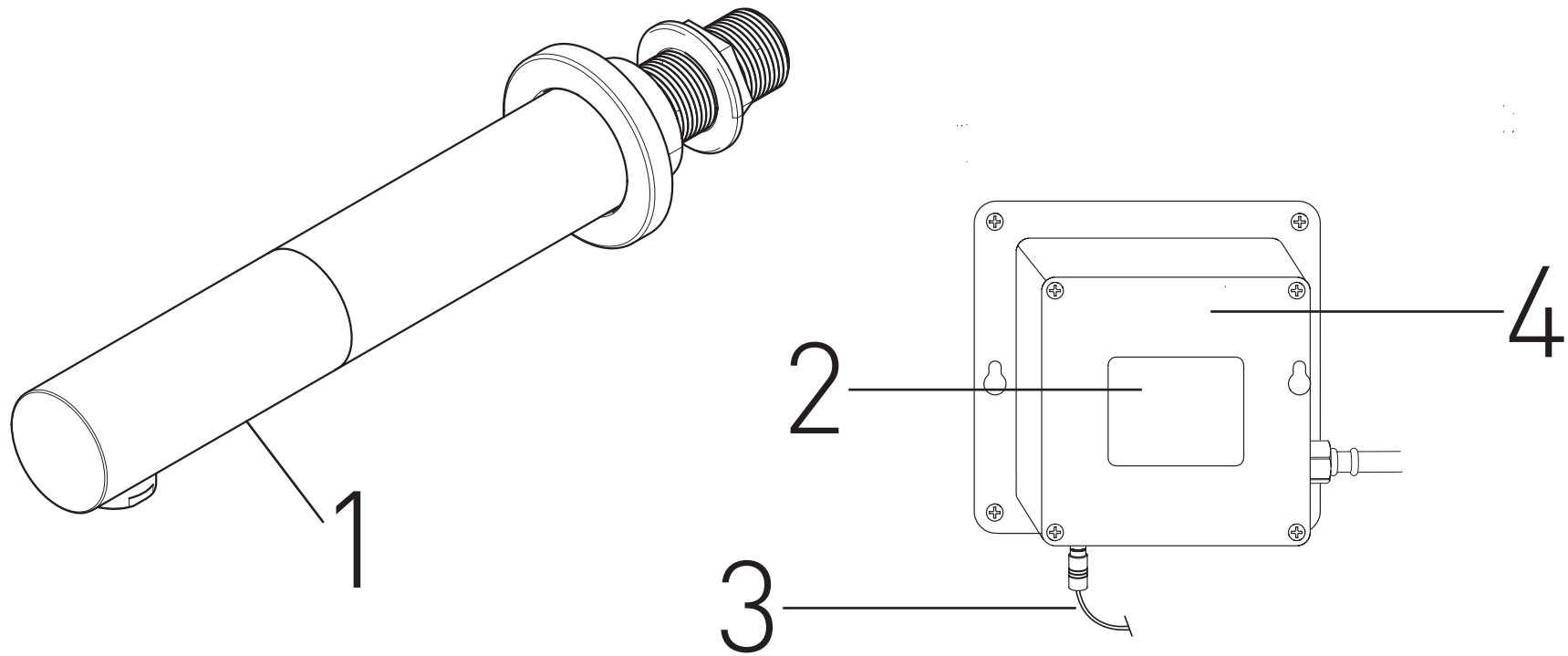


Product Code: IRWS1-CP

Revision: D1



1	Sensor
2	Solenoid Valve
3	Transformer/Lead/Plug/Connector
4	Control Box