

# IRBS2-CP

## COMMERCIAL Tap Range Infra Red Automatic Basin Spout



### Features:

- Using non-touch controls they are operated with infrared technology.
- Bristan's automatic basin taps are great in supporting infection control measures
- Mains or battery powered options.
- Automatic switch off supports water saving.
- A hard-wearing, flawless chrome finish that lasts for years. Scratch resistant and salt spray tested to ensure added durability.

### Product Certifications:



WRAS Certificate No: 250302050  
WRAS Expiry Date: 31/03/2030



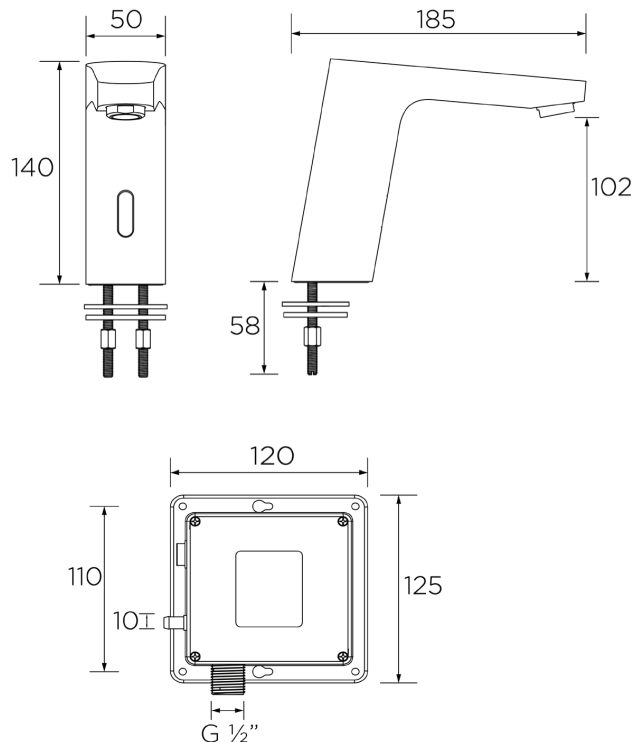
For more products, visit our website:  
<http://www.bristan.com>



### Specification

<b>Product Type:</b>	Basin Spout
<b>Main Construction Material:</b>	Brass
<b>Mount Type:</b>	Deck Mounted
<b>Handle Type:</b>	N/A
<b>Connection Inlet:</b>	G 1/2" BSP
<b>Connection Outlet:</b>	5.7lpm Aerator
<b>Number of Tap Holes:</b>	1
<b>Valve/Cartridge Type:</b>	Solenoid
<b>Plumbing System Requirements:</b>	Suitable for high pressure systems
<b>Minimum Dynamic Pressure (bar):</b>	1.0 bar
<b>Maximum Dynamic Pressure (bar):</b>	5 bar
<b>Maximum Hot Water Temperature °C:</b>	65°C
<b>Maximum Static Pressure (bar):</b>	10 bar
<b>Flow Type:</b>	Single Flow
<b>Isolation Included:</b>	No

### Dimensions (measurements in mm)



### Flow Rates (l/min)

System Pressure (bar)	1.0	1	2	3	5
IRBS2-CP (mixed)	2.8	2.8	3.9	4.8	6.2

TECHNICAL  
DATA  
SHEET



**BRISTAN**

D7