

# BRG 3HBF C

## BRIGHT Tap Range Bright 3 Hole Bath Filler Chrome



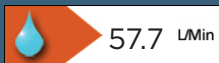
### Specification

<b>Product Type:</b>	Bathroom Tap
<b>Main Construction Material:</b>	Brass
<b>Mount Type:</b>	Deck
<b>Handle Type:</b>	Round
<b>Connection Inlet:</b>	3/4" BSP
<b>Connection Outlet:</b>	M24 Flow Straightener
<b>Number of Tap Holes:</b>	3
<b>Valve/Cartridge Type:</b>	3/4" Ceramic Disc Valves
<b>Plumbing System Requirements:</b>	Suitable for all plumbing systems
<b>Working Pressure Range:</b>	Min. 0.3, Max. 5.0
<b>Maximum Hot Water Temperature: °C</b>	60
<b>Maximum Static Pressure: (bar)</b>	10
<b>Flow Type:</b>	Single
<b>Isolation Included:</b>	No

### Features:

- Long life and easy to use 1/4 turn ceramic disc valves
- Metal back nuts for added durability
- Minimum working pressure of 0.3 bar

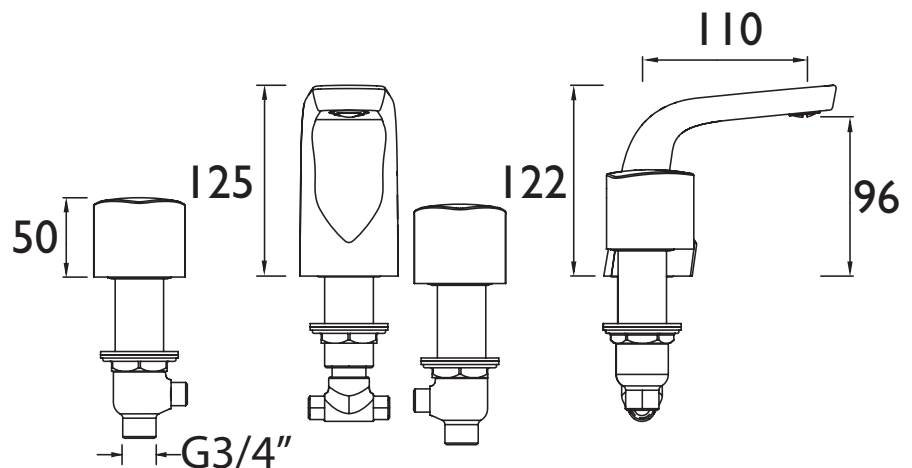
### Product Certifications:



For more products, visit our website:  
<http://www.bristan.com>



### Dimensions (measurements in mm)



### Flow Rates (l/min)

System Pressure (bar)	0.3	0.5	1	2	3	5
BRG 3HBF C	18.6	22.7	33.3	47.1	57.7	74.5

## TECHNICAL DATA SHEET



# BRISTAN

TAPS & SHOWERS

D2