

# BRG 1HBF C

## BRIGHT Tap Range

Bright 1 Hole  
Bath Filler Chrome



### Specification

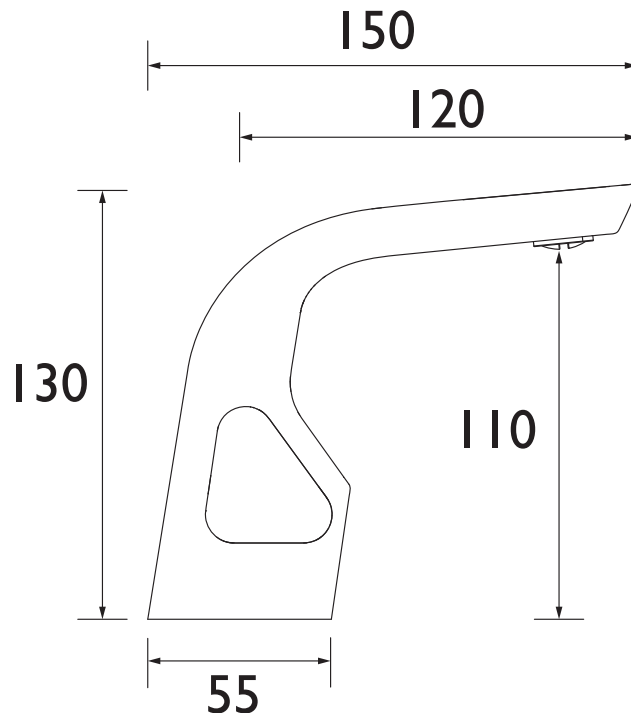
Product Type:	Bathroom Taps
Main Construction Material:	Brass
Mount Type:	Deck
Handle Type:	Triangular
Connection Inlet:	22mm Compression Flexible Tails
Connection Outlet:	M24 Flow Straightener
Number of Tap Holes:	1
Valve/Cartridge Type:	3/4" Ceramic Disc Valve - 1/4 turn
Plumbing System Requirements:	Suitable for all plumbing systems
Minimum Dynamic Pressure (bar):	0.3 bar
Maximum Dynamic Pressure (bar):	5 bar
Maximum Hot Water Temperature °C:	60°C
Maximum Static Pressure (bar):	10 bar
Flow Type:	Single
Isolation Included:	No

### Features:

- Long life and easy to use 1/4 turn ceramic disc valves
- Metal fixing nut for added durability
- Flexible tails included
- Minimum working pressure of 0.3 bar

### Product Certifications:

### Dimensions (measurements in mm)



For more products, visit our website:  
<http://www.bristan.com>



### Flow Rates (l/min)

System Pressure (bar)	0.3	0.5	1	2	3	5
BRG 1HBF C (mixed)	22.8	30	43.1	60.9	74.6	96.4

TECHNICAL  
DATA  
SHEET



# BRISTAN

D4