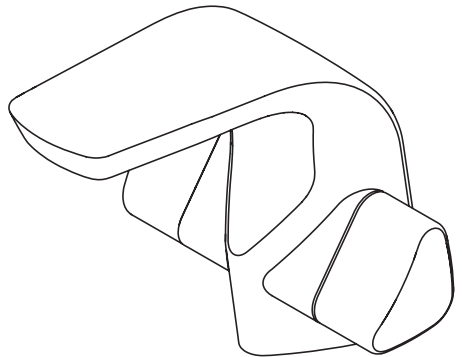

BRISTAN

Installation Instructions Bright Tap Range



Models covered:
BRG BAS C, BRG BF C,
BRG BSM C, BRG 1HBF C

Please keep this booklet for future reference.

Installer, when you have read these instructions please ensure you leave them with the user.



Contents

Thank you for choosing Britan, the UK's leading taps and showers expert.

We have designed this product with your enjoyment in mind. To ensure that it works to its full potential, it needs to be fitted correctly. These fitting instructions have been created to give you all of the information you need and, if you need any further help, please do not hesitate to contact us.

Important Safety Information.....	3
General Information.....	4
Specifications.....	5
Dimensions.....	6-7
Installation Requirements.....	8
Installation.....	9-10
Basin Mixer & 1 Hole Bath Filler.....	9
Bath Filler & Bath Shower Mixer.....	10
Maintenance.....	11
Troubleshooting.....	12
Guarantee.....	13

Important Safety Information

- Please read these instructions thoroughly and retain for future use.
- All products manufactured and supplied by Bristan are safe provided they are installed, used correctly and receive regular maintenance in accordance with these instructions.
- If you are in any doubt about your ability to install this product safely you must employ the services of an experienced qualified plumber.
- This fitting needs to be installed in accordance with, and meet the requirements of the Water Supply (Water Fittings) Regulations 1999 and Scottish Byelaws 2004.
- Remove all packaging and check the fitting for damage before starting installation.
-  Warning: Before starting any installation please consider the following: before drilling into walls, check that there are no hidden electrical wires, cables or water supply pipes. This can be checked with the aid of an electronic detector.
- If power tools are used do not forget to:
 - Wear eye protection
 - Unplug equipment after use
- Important: Remember to turn off the mains water supply before connecting to any existing pipe work. Fitting isolating valves to the inlet feeds is recommended for ease of maintenance.
-  Warning: Before installing the new fitting it is essential that you thoroughly flush through the pipework in order to remove any remaining swarf, solder, etc. Failure to carry out this procedure could cause problems or damage to the workings of the fitting.
- Take care when handling the 'flexible connecting pipes', do not bend, twist or crush them. Only tighten the pipes by hand.
- Do not crush or kink the shower hose, this could damage the hose and cause leaks.
- This product must not be modified in any way as this will invalidate the guarantee.

General Information

This product has been tested to the Water Regulations Advisory Scheme (WRAS) and satisfies the requirements of the Water Supply (Water Fittings) Regulations 1999 and current bylaws. For full Installation Requirements & Notes (IRN) please visit www.wras.co.uk/directory.

Designed to comply with BS EN 200 for combination taps to be used within systems designed to BS 6700.

BS 6700 recommends the temperature of stored water should never exceed 65°C. A stored water temperature of 60°C is considered sufficient to meet all normal requirements and will minimise the build up of lime scale in hard water areas.

If the product is installed at low pressure (tank fed), then the minimum distance from the highest installed position of the outlet to the underside of the cold tank should be at least 3 metres to ensure adequate performance.

These taps and mixers should be installed in compliance with the Water Regulations. Where the supplies are unbalanced, i.e. Hot water from cylinder tank / cold from the mains, approved check valves must be fitted in the supply pipes.

For further details contact your Local Water Authority.

Specifications

Product Code	Working pressure		Inlet
	Min	Max	
BRG BAS C	0.3	5.0	M10 15mm Compression Flexible Tails
BRG BF C	0.3	5.0	3/4" BSP Threaded Tail
BRG BSM C	0.3	5.0	3/4" BSP Threaded Tail
BRG 1HBF C	0.3	5.0	M16 15mm Compression Flexible Tails

Maximum static pressure- 10.0 bar

System Requirements:

Gravity fed hot & cold (Equal pressures)

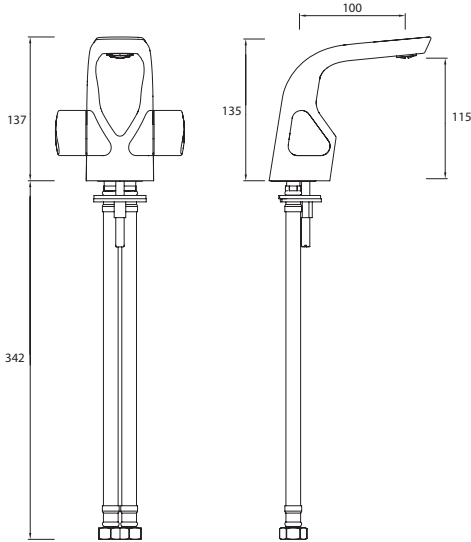
Gravity fed hot & cold (Differential pressure, maximum ratio 5:1)

Unvented systems

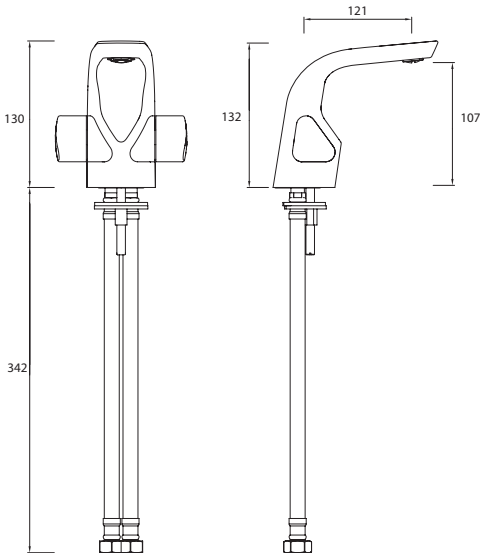
Instantaneous water heater (Combination boiler)

Dimensions

Basin Mixer



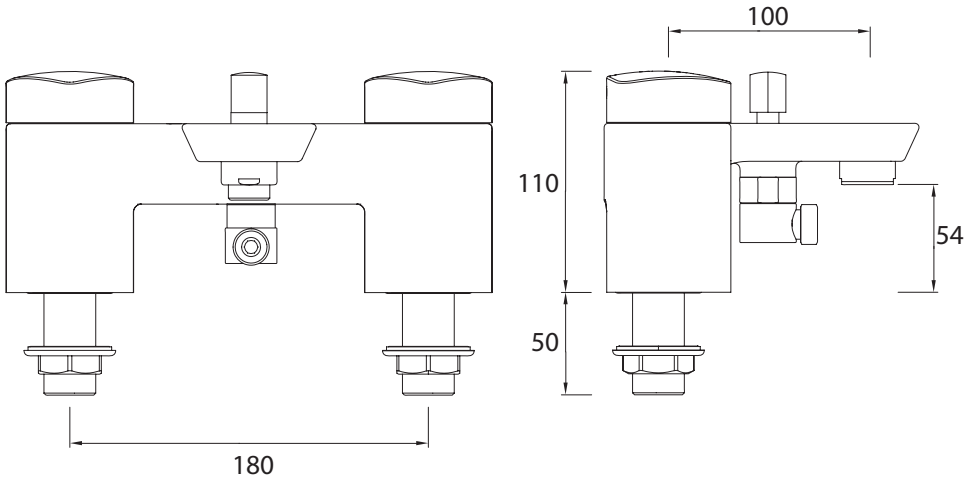
1 Hole Bath Filler



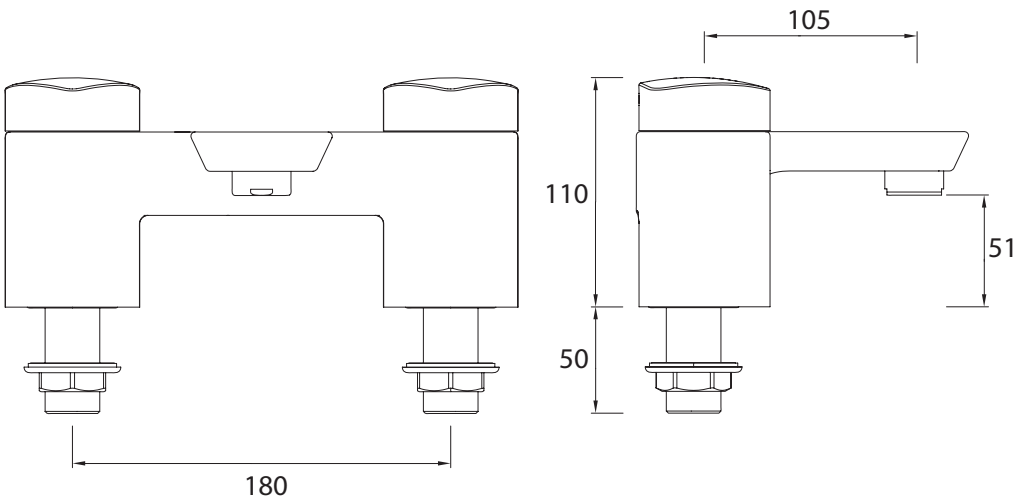
Dimensions are approximate and in millimetres.

Dimensions Cont.

Bath Shower Mixer



Bath Filler



Dimensions are approximate and in millimetres.

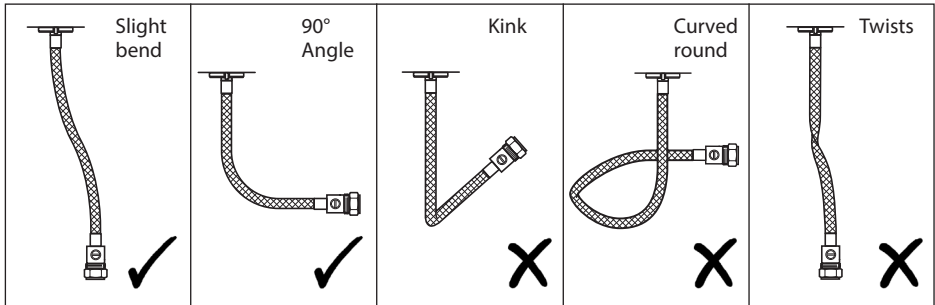
Need help? Give us a call on 0330 026 6273 and speak to one of our trained advisers.


Installation Requirements


Flexible Connecting Pipes

Care must be taken when connecting the flexible connection pipes to the household pipework to ensure they do not bend sharply and kink or twist.

See below for recommended ways to fit the flexible connecting pipes.



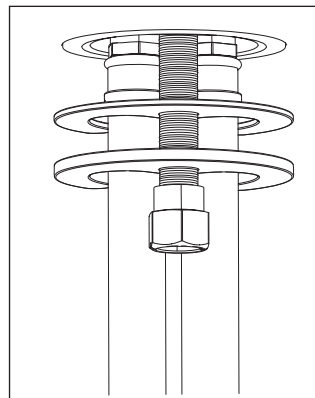
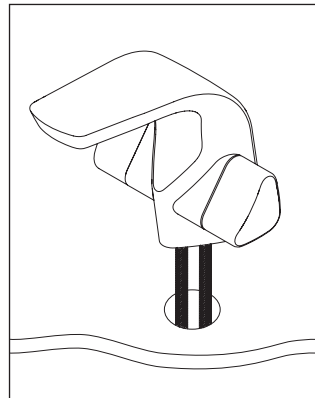
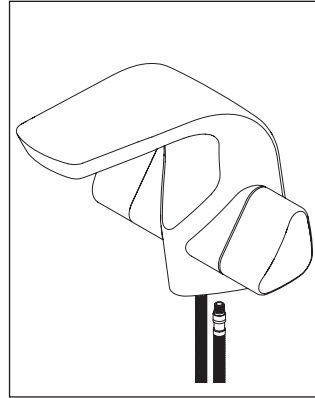
 Important: Failure to follow these guidelines may result in poor performance and damage to the flexible connecting pipes.

 Important: Full access must be made available on installation for future maintenance/ servicing purposes.

Installation

Basin Mixer / 1 Hole Bath Filler

1. Screw the flexi tails into the bottom of the body by hand only (DO NOT OVERTIGHTEN).
2. Feed the flexi tails through the hole in the basin/ bath ensuring the washer is fitted between the tap body and the fixing surface to ensure a water tight seal.
3. Screw the fixing rod into the bottom of the tap body. Slide the 'C' shaped rubber washer and 'C' shaped metal washer onto the fixing rod up to the underside of the basin/ bath.
4. To secure the tap body in place tighten the fixing nut onto the fixing rod until it is fully tightened against the 'C' shaped metal washer. The fixing nut can be tightened with a suitable spanner.
5. Connect the flexi tails to the hot and cold water supplies.
6. Turn on both water supplies, operate both handles, letting the water flow for a few minutes to flush through the system.
7. Fit the clicker waste (basin mixer only) ensuring the rubber washer is fitted between the basin and the waste. Place the other rubber washer under the basin and secure by tightening the backnut, in order to fill the basin, the button in the middle of the waste needs to be pressed down. To release the water, press the button again.
8. Check all joints and connections for any leaks.



Installation Cont.

Bath Filler and Bath Shower Mixer

1. Fit the bath filler / bath shower mixer to the bath ensuring that the washers are fitted between the body and the bath.
2. Secure the tap to the bath using the washers and metal backnuts. Tighten the backnuts onto the threaded tails. A suitable spanner may be required to fully tighten the backnuts.
3. Connect the hot and cold water supplies to the threaded tails using a $\frac{3}{4}$ " BSP connector (not supplied).
4. Bath Shower Mixer only - fit the shower hose to the hose outlet using the small sealing washer, and the handset to the hose using the small washer.



Important:

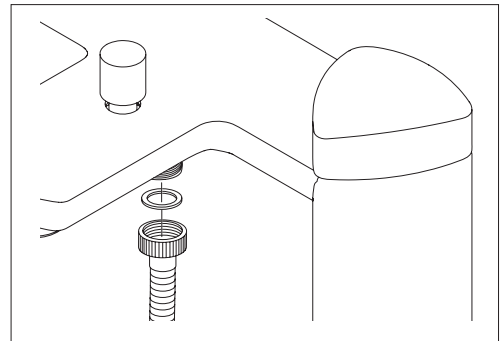
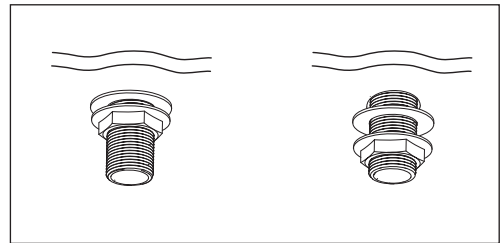
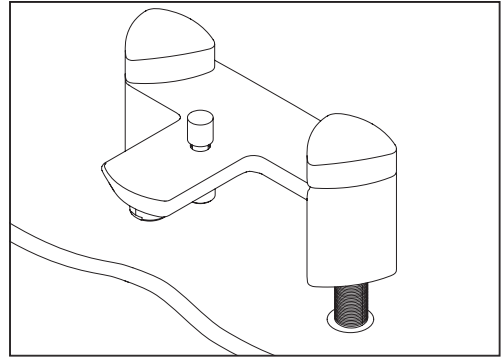
Prior to the drilling into walls, check there are no hidden electrical wires, cables or water supply pipes with the aid of an electronic detector.

If you use power tools do not forget to:

- Wear eye protection
- Unplug equipment after use

Fit the wall bracket (not shown) to the wall using the fixings supplied, ensuring the handset and hose reaches it.

5. Turn on both water supplies and turn both handles to the on position, letting the water flow for a few minutes to flush through the system.
6. Check all joints and connections for any leaks.

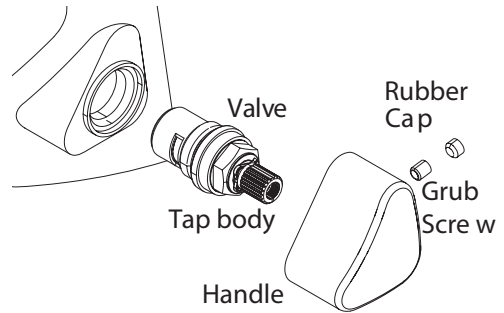


Maintenance

General Cleaning

Your product has a high quality finish and should be treated with care to preserve the visible surfaces. All surfaces will wear if not cleaned correctly, the only safe way to clean your mixer is to wipe with a soft damp cloth. Stains can be removed using washing up liquid. All bath cleaning powders and liquids will damage the surface of your fitting, even the non-scratch cleaners.

Note: Never use abrasive detergents or disinfectants or those containing alcohol, hydrochloric acid or phosphoric acid.



Cleaning the valve

Before carrying out any maintenance, turn off both water supplies or close any isolating valves. Prise out the rubber cap, loosen the grub screw using a 2.5mm hexagonal key and remove the handle. Remove the valve by unscrewing it from the body using a suitable spanner.

Wash the valve with clean running water and make sure that any debris has been removed.

Lightly grease the seal (only use silicone grease), replace the valve and the handle. Tighten the grub screw and push fit the rubber cap.

⚠ Important: Tighten the valve with the correct size spanner / socket and apply appropriate force/torque. Do not overtighten.

Troubleshooting

Symptom	Cause	Remedy
No flow or low flow rate	Partially closed isolation valve.	Open isolation valve.
	Instantaneous water heater cycles on and off as flow rate or pressure is too low.	Increase water flow rate or pressure through system to meet required minimum working pressure of tap.
	Head of water is below the minimum distance required.	Refer to 'Specifications' on page 5.
	Hot or cold water being drawn off elsewhere causing pressure changes or instantaneous boiler temperature changes.	Do not use other water outlets when using the taps.
	Airlock or partial blockage in the supply pipework.	Flush through pipework to ensure removal of debris and any airlocks.
Water dripping from taps	This is normal for a short time after using the taps.	This is caused by capillary action, the build up of water in the tap body.
	If water continues to drip, possible build up of debris / limescale in ceramic disc valves.	Remove valves and clean, refer to 'Maintenance' section on page 11 before removing the valve.
Taps do not turn on	Closed isolation valve.	Open isolation valve.
	Water supplies to the tap turned off.	Turn on both water supplies to the tap.

Guarantee

At Bristan, we want to make things as easy as possible for our customers. That's why we offer solid guarantees on all our products, effective from the date of purchase, to give you peace of mind.

To start your free guarantee simply scan the QR code and register your product. Alternatively visit www.bristan.com/register.

For any other queries, please call our Customer Service on 0330 026 6273 where our expert team of advisors will be able to offer you any help and advice.

For full guarantee terms and conditions visit www.bristan.com/guarantees.



We Know & We Care

Part Number: BRG BOOK 1
Issue: D3

BRISTAN

Bristan Group Ltd.

UK: Bristan Group, B78 1SG.

EU: Masco Europe S.à.r.l.

14 Rue Strachen

6933 Mensdorf

Luxembourg

Customer Service: +44330 026 6273

Web: www.bristan.com

Email: enquire@bristan.com

A Masco Company