

ALP WMBF C

ALP Tap Range Alp Wall Mounted Bath Filler Chrome



Features:

- Long life ceramic cartridge for added durability and smooth control
- A hard-wearing, flawless, scratch resistant chrome finish that lasts for years. Salt spray tested to ensure added durability.
- 10 year parts and 1 year labour guarantee for peace of mind.
- Co-ordinating Bathroom taps, Recess shower and Accessories available.
- Not suitable for use with roll top-baths.

Product Certifications:



WRAS Certificate No: 2109903
WRAS Expiry Date: 30/09/2026

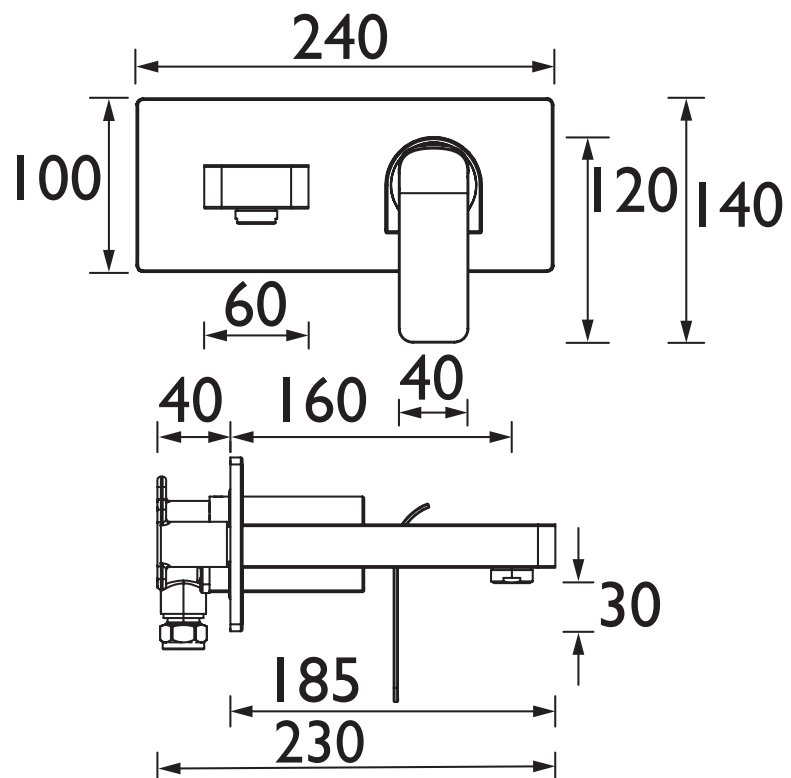
For more products, visit our website:
<http://www.bristan.com>



Specification

Product Type:	Bathroom Taps
Main Construction Material:	Brass
Mount Type:	Wall Mounted
Handle Type:	Lever Handle
Connection Inlet:	15mm Compression
Connection Outlet:	M24 Anti-Splash
Number of Tap Holes:	2
Flow Control Valve Type:	45mm Cartridge
Plumbing System:	Suitable for all plumbing systems
Minimum Dynamic Pressure: (Bar)	0.3 Bar
Maximum Dynamic Pressure: (Bar)	5.0 Bar
Maximum Static Pressure: (Bar)	10
Maximum Hot Water Temperature: (C°)	65
Flow Type:	Single Flow
Isolation Included:	No
Check Valve Supplied:	No

Dimensions (measurements in mm)



Flow Rates (l/min)

System Pressure (bar)	0.3	0.5	1	2	3	5
ALP WMBF C	13.30	17.18	23.98	34.65	43.2	55.9

TECHNICAL DATA SHEET



BRISTAN

D11