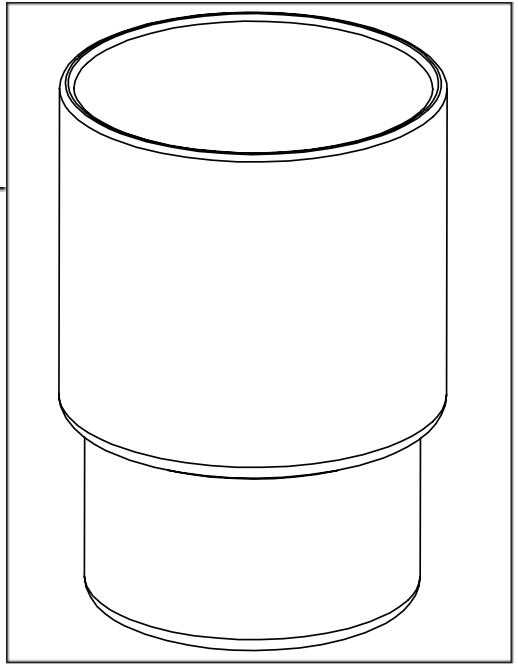
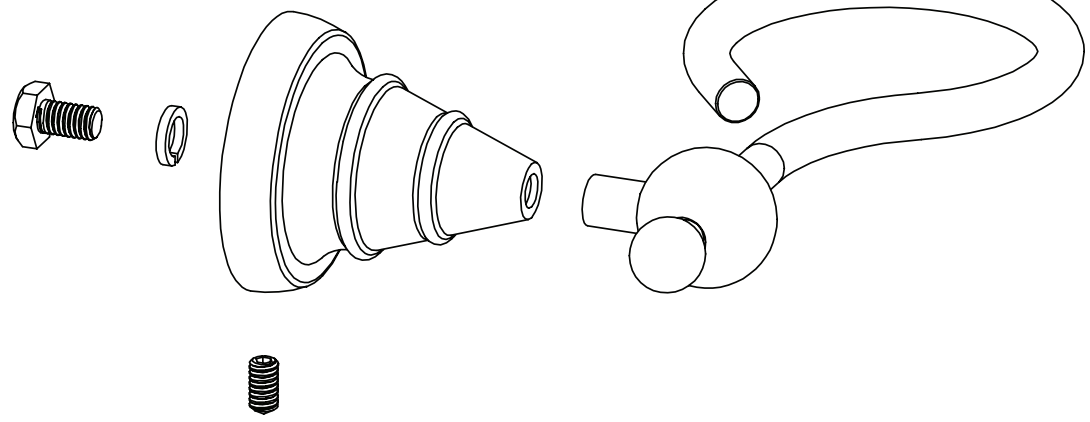
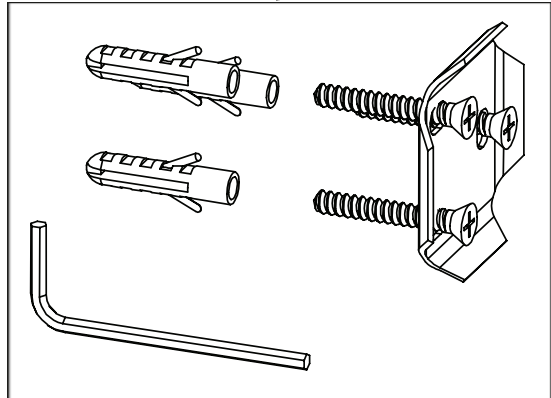


Product Code: N2 HOLD C
Revision: D2

2



1



1 Fixing Kit