

**Complementary Bathroom  
Accessories**

**Fitting  
Instructions**

**Please keep these instructions for future reference**

Congratulations on purchasing Bristan Bathroom Accessories. You are now the owner of a high quality product, manufactured to exacting standards. Fitting your accessories is easy when you follow these instructions. Please identify all components and check for completeness, particularly before arranging fitting.

### Installation.

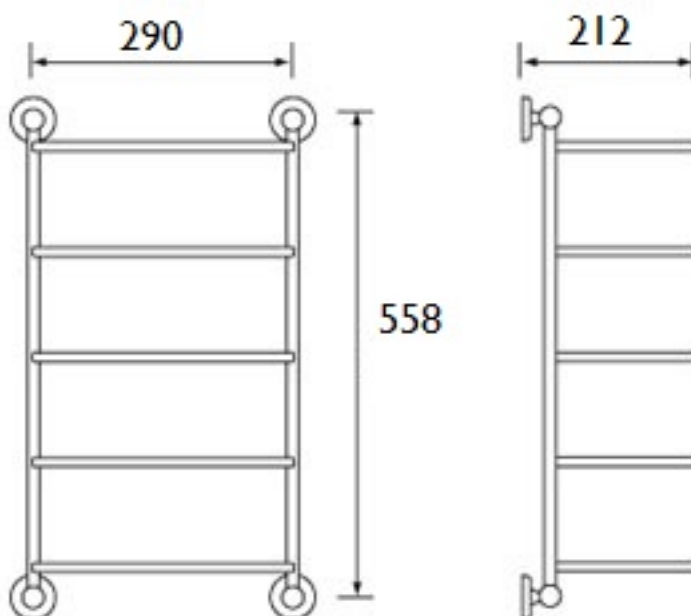
1. To assemble towel stacker, fit the horizontal rails (2) to the vertical rails (1) & secure with screws (3). Fit wall brackets (4) to the ends of the vertical rails.
2. Establish the position for the towel stacker & mark out the fixing holes using the assembled product, ensuring the towel stacker is level.



Prior to drilling into walls, check there are no hidden electrical wires, cables or water supply pipes, with the aid of an electronic detector. If you use power tools Do Not Forget:

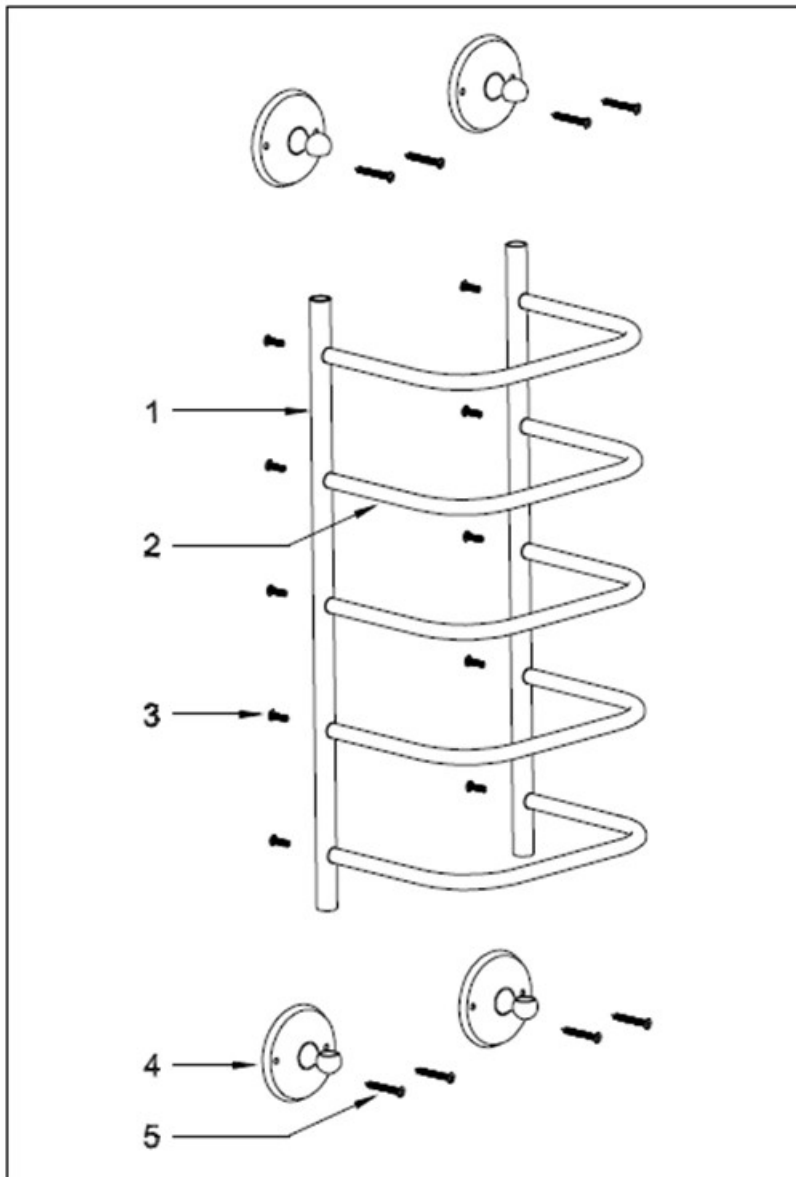
- . Wear eye protection
- . Unplug equipment after use

1. Drill holes to suit, use walls plugs supplied if required.
2. Screw towel stacker to the wall using the fixing screws (5) supplied.
3. See over the page for aftercare instructions.



## Contents.

1. Vertical rail x 2
2. Horizontal rail x 5
3. Screw x 10
4. Wall bracket x 4
5. Fixing screws x 8
6. Wall plugs x 8



Your Bristan bathroom accessories have a high quality finish and should be treated with care to preserve the visible surfaces. All surface finishes will wear if not cleaned correctly, the only safe way to clean your accessory is to wipe with a soft damp cloth. Stains can be removed using washing up liquid. All bath cleaning products will damage the surface of your fitting - even non-scratch cleaners.

## GUARANTEE

At Bristan, we want to make things as easy as possible for our customers. That's why we design products that are easy to fit and use, and that are quality tested to make sure they won't let you down. It's also why we offer solid guarantees on all products, effective from the date of purchase, to give you peace of mind.

All Bristan accessories are covered by a 5year guarantee covering parts. This guarantee is in addition to your statutory and other legal rights. For full terms and conditions, please visit [www.bristan.com/guarantees](http://www.bristan.com/guarantees)

*In the interests of continuous product development we reserve the right to alter specification as necessary.*

## Need help?

Please contact Bristan Care Customer Service on 0844 701 6273. Please also call this number in the unlikely event that you encounter any problems with the product during the guarantee period.

Bristan Group Limited  
Birch Coppice Business Park  
Dordon  
Tamworth  
Staffordshire  
B78 1SG

Telephone: 0844 7016273  
Facsimile: 0844 7016275  
E:mail:enquire@bristan.com