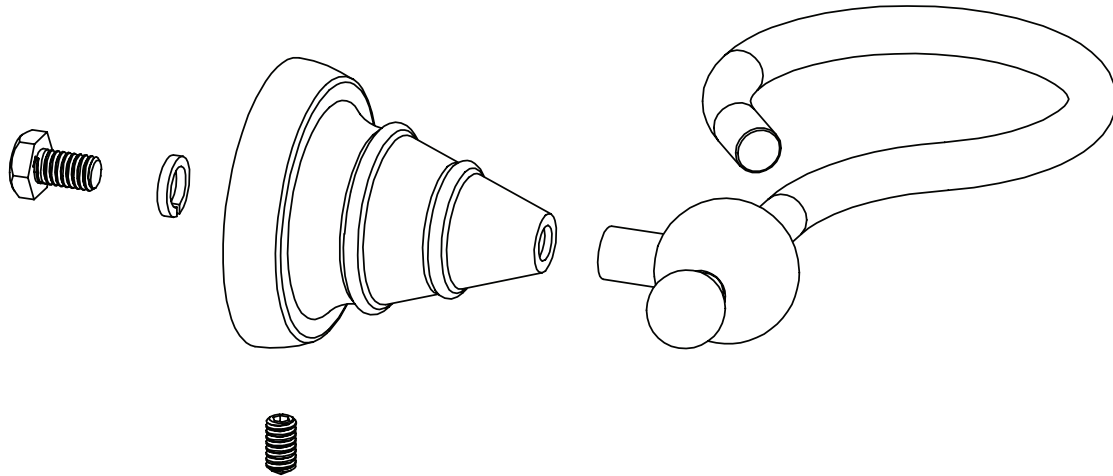
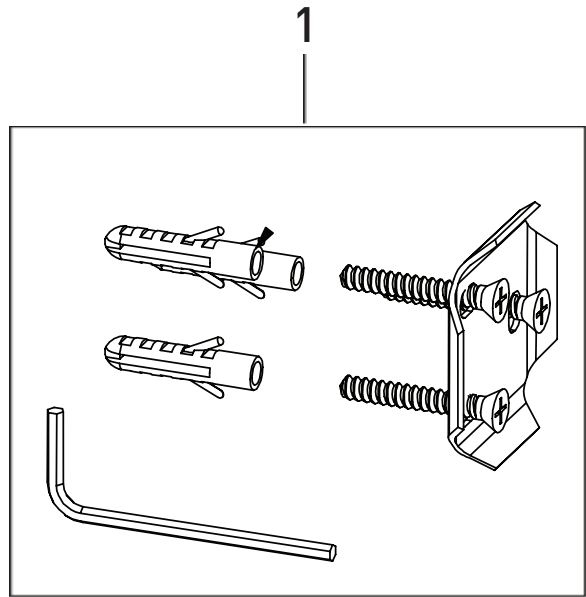
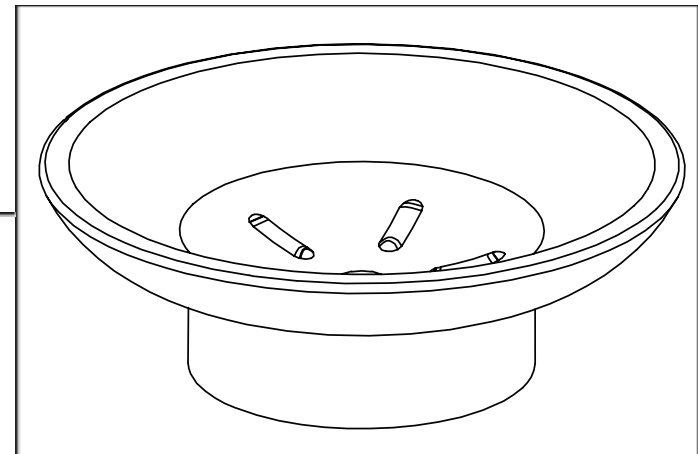


Product Code: N2 DISH C/G

Revision: D2



1	Fixing Kit
2	Soap Dish