

# KG SNK EF C

## KINGSBURY Tap Range Kingsbury Easyfit Sink Mixer Chrome



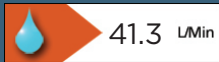
### Specification

<b>Product Type:</b>	Kitchen Taps
<b>Main Construction Material:</b>	Brass
<b>Mount Type:</b>	Deck Mounted
<b>Handle Type:</b>	Crosshead
<b>Connection Inlet:</b>	1/2" BSP Flexible Tails
<b>Connection Outlet:</b>	Open
<b>Number of Tap Holes:</b>	1
<b>Valve/Cartridge Type:</b>	1/2" Compression Valves
<b>Plumbing System Requirements:</b>	All, Preferably Balanced
<b>Working Pressure Range:</b>	Min 0.2 Bar, Max 5.0 Bar
<b>Maximum Hot Water Temperature: °C</b>	65
<b>Maximum Static Pressure: (bar)</b>	10
<b>Flow Type:</b>	Dual Flow
<b>Isolation Included:</b>	Yes

### Features:

- Metal fixing nut for added durability
- Easyfit base included
- Flexible tails included
- Metal handles

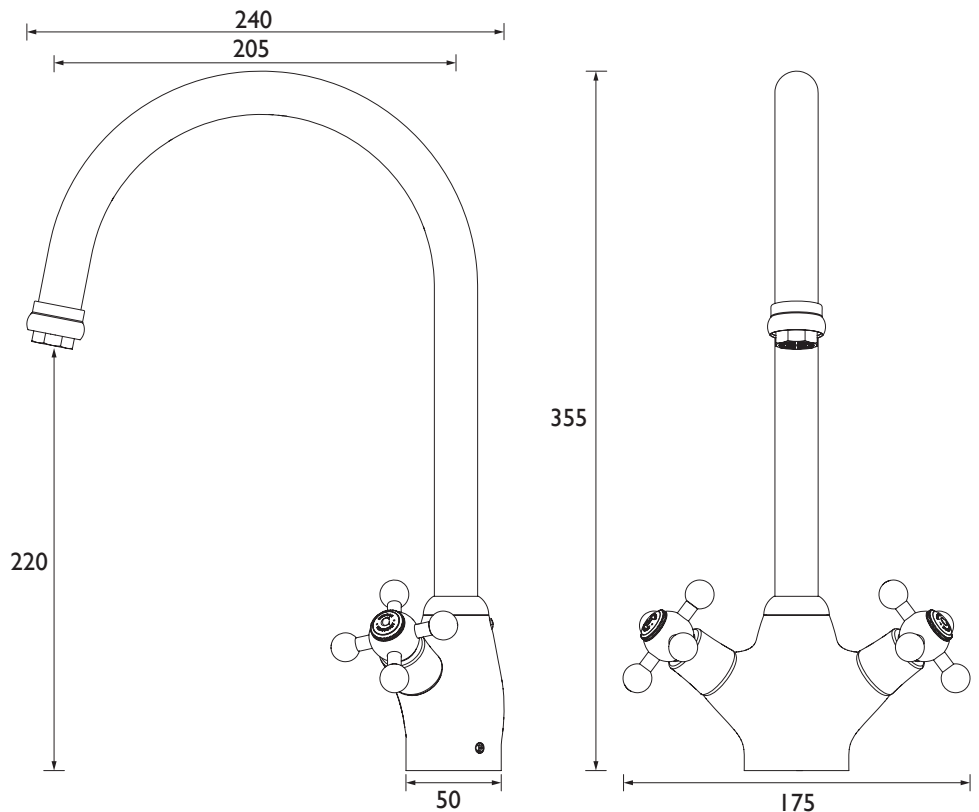
### Product Certifications:



For more products, visit our website:  
<http://www.bristan.com>



### Dimensions (measurements in mm)



### Flow Rates (l/min)

System Pressure (bar)	0.2	0.5	1	2	3	5
KG SNK EF C	10.7	16.9	23.8	33.7	41.3	53.3

## TECHNICAL DATA SHEET



# BRISTAN

TAPS & SHOWERS

D5