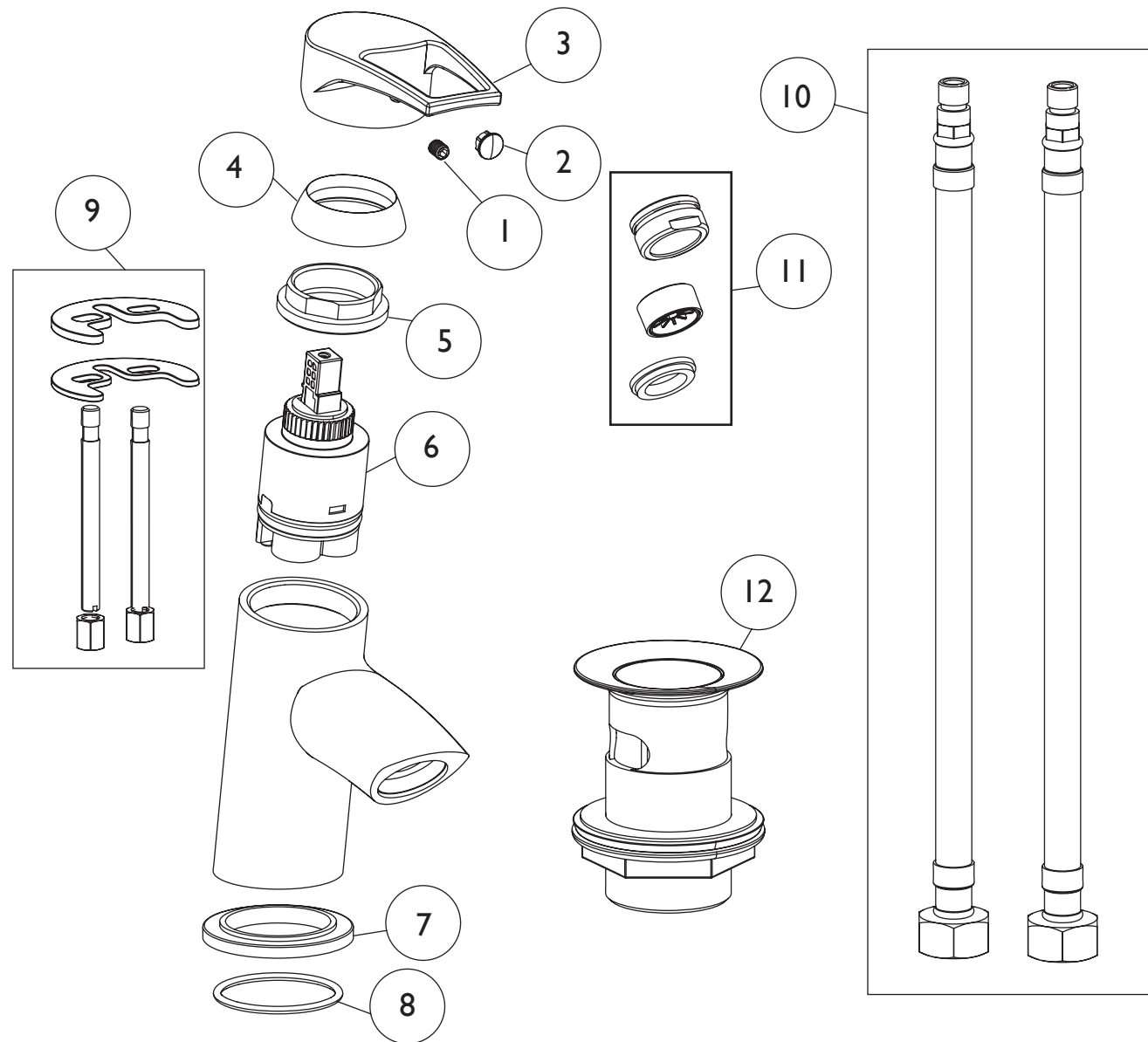


Product Code: SM BAS C
Revision: D2



1	Grub Screw
2	Cap
3	Handle
4	Shroud
5	Retaining Nut
6	Cartridge
7	Plinth
8	O Ring
9	Fixing Kit
10	Inlet Connection
11	Anti-Splash
12	Basin Waste