

NR BASNW E6 C

NERO Tap Range Nero Basin Mixer Eco6 (no waste) Chrome



Features:

- Metal lever
- 3.5/6 l per min flow regulator

Product Certifications:



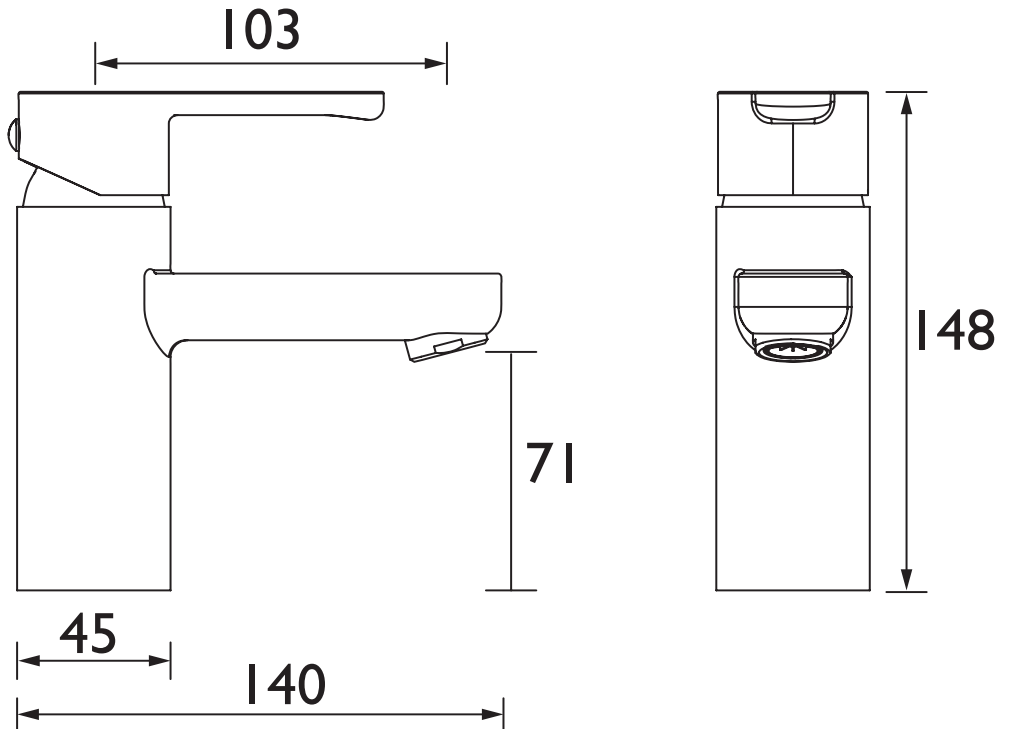
For more products, visit our website:
<http://www.bristan.com>



Specification

Product Type:	Bathroom Tap
Main Construction Material:	Brass
Mount Type:	Deck Mounted
Handle Type:	Lever Handle
Connection Inlet:	M10 x 530mm 15mm Compression Flexi Pipes
Connection Outlet:	3.5/6L M24 Flow Limiter
Number of Tap Holes:	1
Valve/Cartridge Type:	35mm Flat Cartridge
Plumbing System Requirements:	Suitable for all plumbing systems
Minimum Dynamic Pressure:	0.2 Bar
Maximum Dynamic Pressure:	5.0 Bar
Maximum Hot Water Temperature: °C	65
Maximum Static Pressure: (bar)	10
Flow Type:	Single Flow
Isolation Included:	No

Dimensions (measurements in mm)



Flow Rates (l/min)

System Pressure (bar)	0.2	0.5	1	2	3	5
NR BASNW C	6	6	6	6	6	6

TECHNICAL
DATA
SHEET



BRISTAN

D3