

NR BASNW E4 C

NERO Tap Range Nero Basin Mixer Eco4 (no waste) Chrome



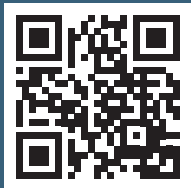
Features:

- Metal lever
- 3.5 /6 l per min low regulator

Product Certifications:



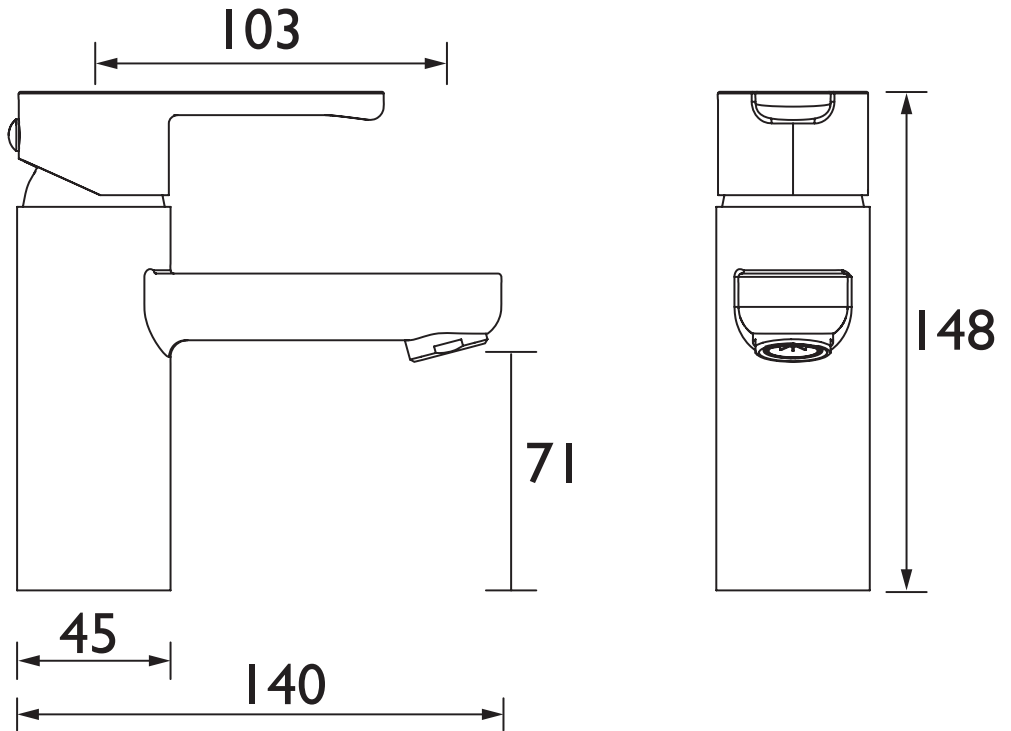
For more products, visit our website:
<http://www.bristan.com>



Specification

| | |
|--|--|
| Product Type: | Bathroom Tap |
| Main Construction Material: | Brass |
| Mount Type: | Deck Mounted |
| Handle Type: | Lever Handle |
| Connection Inlet: | M10 x 530mm 15mm Compression Flexi Pipes |
| Connection Outlet: | 3.5 l/min M24 Flow Limiter |
| Number of Tap Holes: | 1 |
| Valve/Cartridge Type: | 35mm Flat Cartridge |
| Plumbing System Requirements: | Suitable for all plumbing systems |
| Minimum Dynamic Pressure: | 0.2 Bar |
| Maximum Dynamic Pressure: | 5.0 Bar |
| Maximum Hot Water Temperature: °C | 65 |
| Maximum Static Pressure: (bar) | 10 |
| Flow Type: | Single Flow |
| Isolation Included: | No |

Dimensions (measurements in mm)



Flow Rates (l/min)

| System Pressure (bar) | 0.2 | 0.5 | 1 | 2 | 3 | 5 |
|-----------------------|-----|-----|-----|-----|-----|-----|
| NR BASNW E4 C | 3.5 | 3.5 | 3.5 | 3.5 | 3.5 | 3.5 |

TECHNICAL DATA SHEET



BRISTAN

D3