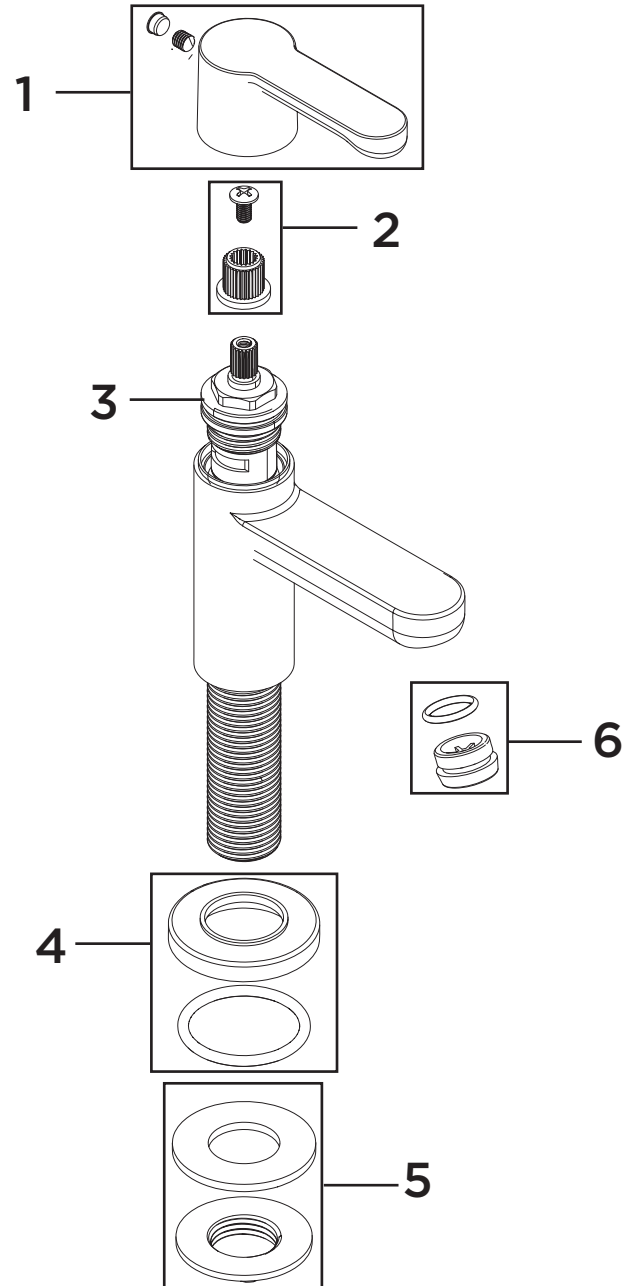


Product Code: NR 1/2 C**Revision:** D6

1	Handle Assembly (Pair)
2	Spline Adaptor
3	1/2" Ceramic Disc Valve (Pair)
4	Plinth
5	1/2" Backnut & Washer (Pair)
6	Screw-in Flow Straightener