

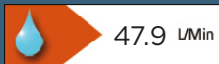
Features:

- 15mm inlet connections
- This shower valve has been designed to fit in any UK wall cavity and therefore only needs a 35mm deep cavity space
- Fitting depth including plasterboard and tiles is 45mm - 75mm
- Minimum cold water supply temperature is 4°C
- Maximum hot water supply temperature is 80°C

Product Certifications:



WRAS Cert. Number: 1910908
WRAS Expiry Date: 31/10/2024



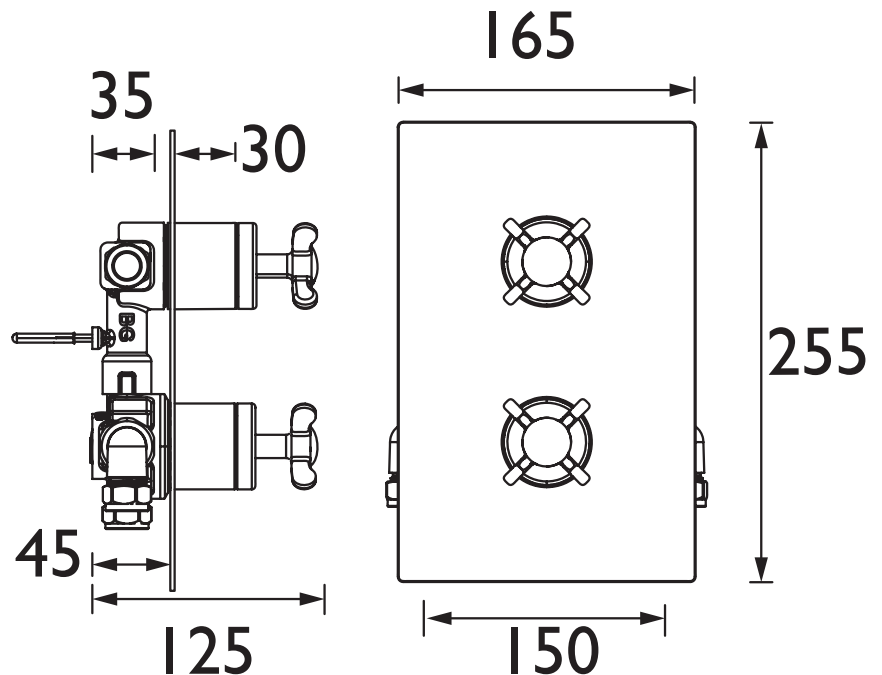
For more products, visit our website:
<http://www.bristan.com>



Specification

Product Type:	Mixer Shower
Main Construction Material:	Brass
Connection Inlet:	15mm Compression
Connection Outlet:	15mm Compression
No of Controls:	2
Flow Control Valve Type:	¾" Quarter Turn Ceramic Disc
Plumbing System:	Suitable for all plumbing systems
Minimum Dynamic Pressure: (Bar)	0.2 Bar
Maximum Dynamic Pressure: (Bar)	5.0 Bar
Maximum Static Pressure: (Bar)	10
Maximum Hot Water Temperature: (°C)	80
Pre-set Outlet Temperature: (°C)	42
Isolation Valve Included:	No
Check Valve Included:	Yes
Shower Kit:	Valve Only

Dimensions (measurements in mm)



Flow Rates (l/min)

System Pressure (bar)	0.2	0.5	1	2	3	5
Outlet 1	7.3	13.7	20.5	29.3	36.3	47.5
Outlet 1 (Flow Regulator)	5.2	8.2	10.6	10.7	11.4	12.4
Outlet 2	9.3	18	26.7	38.7	47.9	61.7
Outlet 2 (Flow Regulator)	4	7.2	9	9.8	10.7	10

TECHNICAL DATA SHEET



BRISTAN