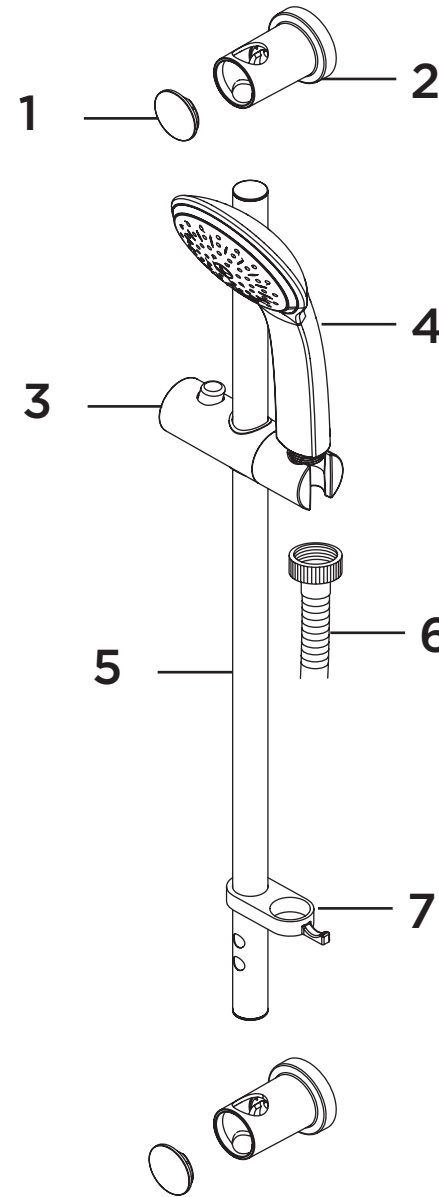


**Product Code:** CAS KIT02 C**Revision:** D2

1	Bracket Cap (Pair)
2	Wall Bracket (Pair)
3	Slider Bracket
4	Handset
5	Riser Rail
6	Hose
7	Hose Retainer