

TECHNICAL DATA SHEET

EXODUS

1 Hole Bath Filler

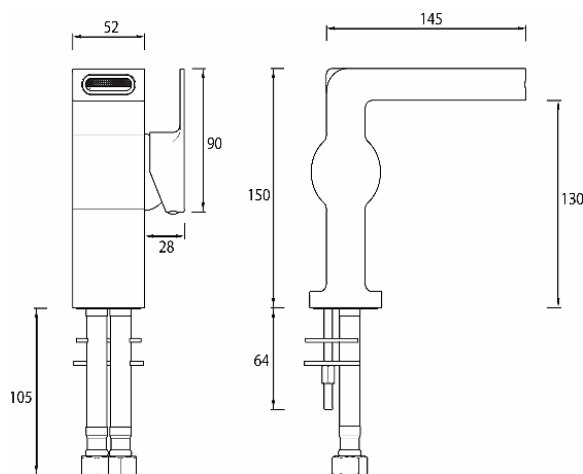
Product Specification

Product Code:	EXD 1HBF C
Finish:	Chrome plated
Product Type:	Contemporary
Construction:	Bodies are of all brass construction and is designed to conform to BS EN 200
Cartridge Type:	40mm Cartridge
Supply:	Suitable for high pressure plumbing systems
Inlet:	M12 15mm Compression Flexible Tails
Working Pressures:	Min 1.0 Bar Max 5.0 Bar



Additional Information

- Chrome plated to BS EN 248.
- Supplied with metal handle.
- Red Dot 2016 Award Winning Design



Flow Rates (litres per minute)

System Pressure	1.0 bar	2.0 bar	3.0bar	4.0bar	5.0 bar
EXD 1HBF C (mixed)	10.5	15.0	18.4	21.2	23.75

Technical Advice: For further information please call 0844 7016273 or email customercare@bristan.com.

Guarantee: 5 years covering manufacturing faults.

Bristan, Birch Coppice Business Park, Dordon, Tamworth, B78 1SG
Telephone: 0844 701 6274 Facsimile: 0844 701 6275
Web Site: www.bristan.com Email: enquire@bristan.com



reddot award 2016
winner



Guarantee



Delivery



0844 7016273

The information contained on this page was correct at date of issue. Fitting dimensions are provided as a guide only. Some variation may occur due to manufacturing tolerances. Bristan pursues a policy of continuing improvement in design and performance of its products and so reserves the right to change specifications without prior notice.