

J SFSNK EF ST

JAVA Tap Range Java Single Flow Easyfit Mono Sink Mixer Steel



Features:

- Long life ceramic cartridge for added durability and ease of use
- Metal fixing nut for added durability
- Easyfit base included
- Flexible tails included

Product Certifications:



WRAS Cert. Number: 1507951
WRAS Expiry Date: 31/07/2020



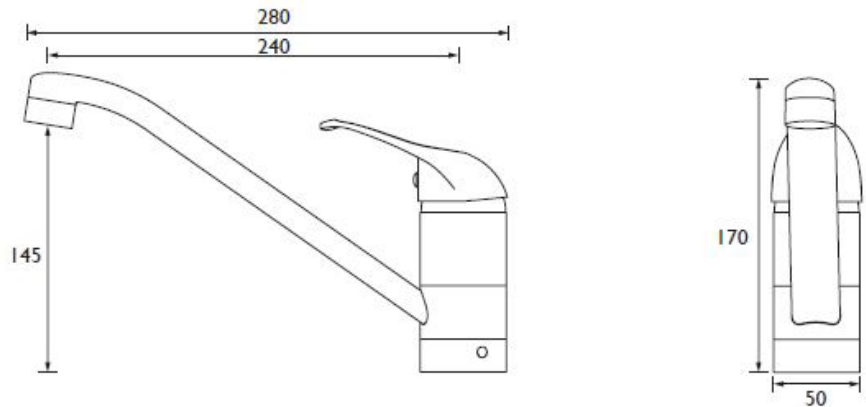
For more products, visit our website:
<http://www.bristan.com>



Specification

Product Type:	Kitchen Tap
Main Construction Material:	Brass
Mount Type:	Deck Mounted
Handle Type:	Lever Handles
Connection Inlet:	1/2" BSP Flexible Tails
Connection Outlet:	Open
Number of Tap Holes:	1
Valve/Cartridge Type:	Ceramic Cartridge
Plumbing System Requirements:	All - Ideally Balanced
Working Pressure Range:	Min 0.3 Bar, Max. 5.0 Bar
Maximum Hot Water Temperature: °C	65
Maximum Static Pressure: (bar)	10
Flow Type:	Single Flow
Isolation Included:	No

Dimensions (measurements in mm)



Flow Rates (l/min)

System Pressure (bar)	0.2	0.5	1	2	3	5
J SFSNK EF ST	8.9	11.4	16.2	22.9	28	36.2

TECHNICAL DATA SHEET



BRISTAN

TAPS & SHOWERS D8