



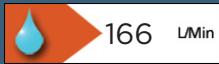
Specification

Product Type:	Traditional
Main Construction Material:	Brass
Mount Type:	Deck Mounted
Handle Type:	Crosshead Handles
Connection Inlet:	¾" BSP
Connection Outlet:	N/A
Number of Tap Holes:	2
Valve/Cartridge Type:	Quarter Turn ¾" Ceramic Disc Valves
Plumbing System Requirements:	All - Ideally Balanced
Working Pressure Range:	Min. 0.2 Bar - Max. 8.0 Bar
Maximum Hot Water Temperature: °C	65
Maximum Static Pressure: (bar)	10
Flow Type:	Single Flow
Isolation Included:	No

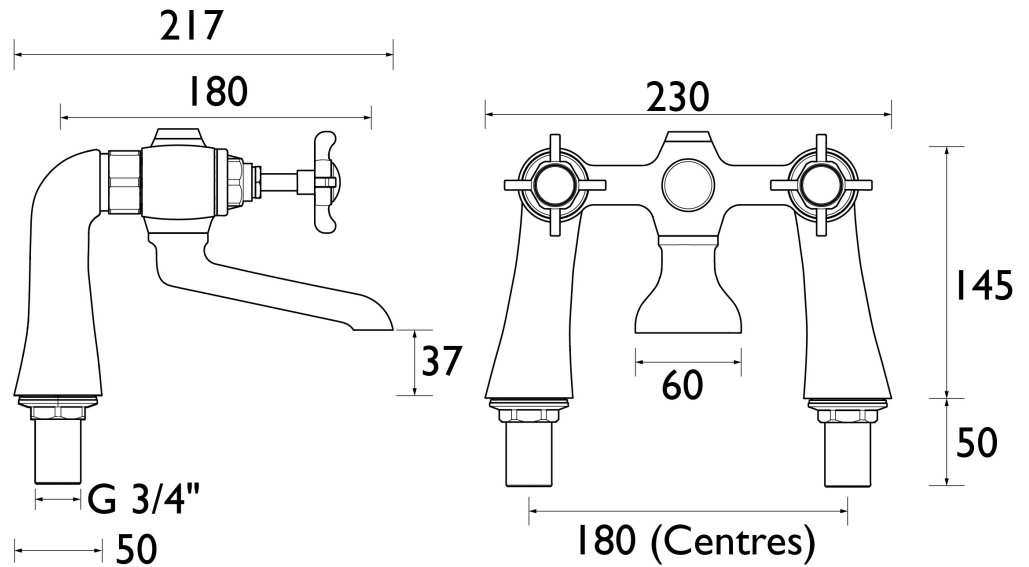
Features:

- Long life and easy to use 1/4 turn ceramic disc valves
- Metal handles
- Chrome plated to BS EN 248

Product Certifications:



Dimensions (measurements in mm)



Flow Rates (l/min)

System Pressure (bar)	0.2	0.5	1	2	3	5
N BF C CD	42.9	67.8	95.9	135.6	166	214.4

For more products, visit our website:
<http://www.bristan.com>



TECHNICAL DATA SHEET



BRISTAN