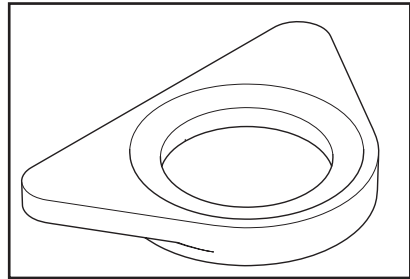
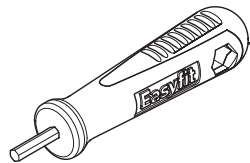


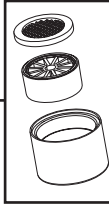
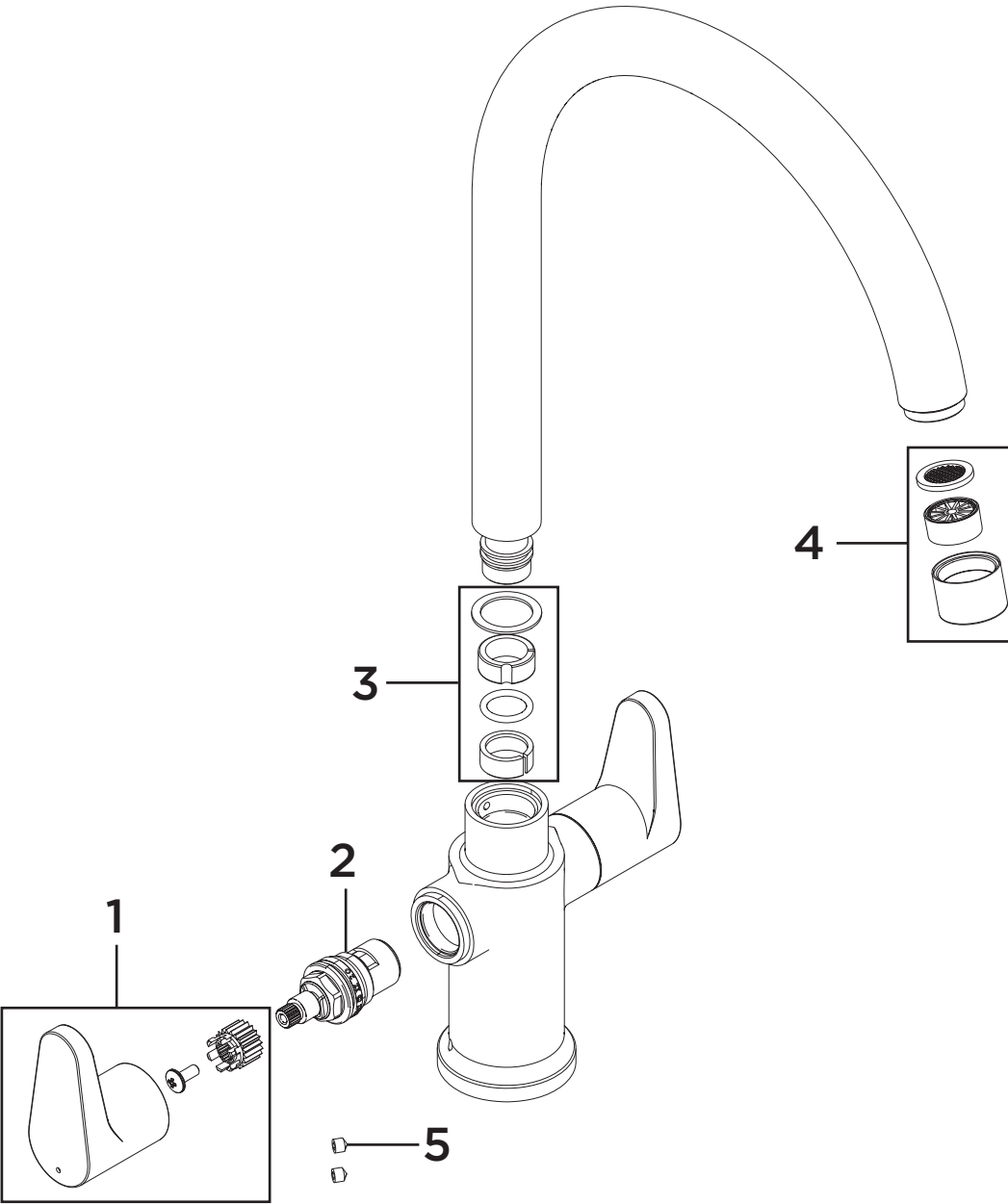
Product Code: QST SNK EF C
Revision: D2



7



6



4

3

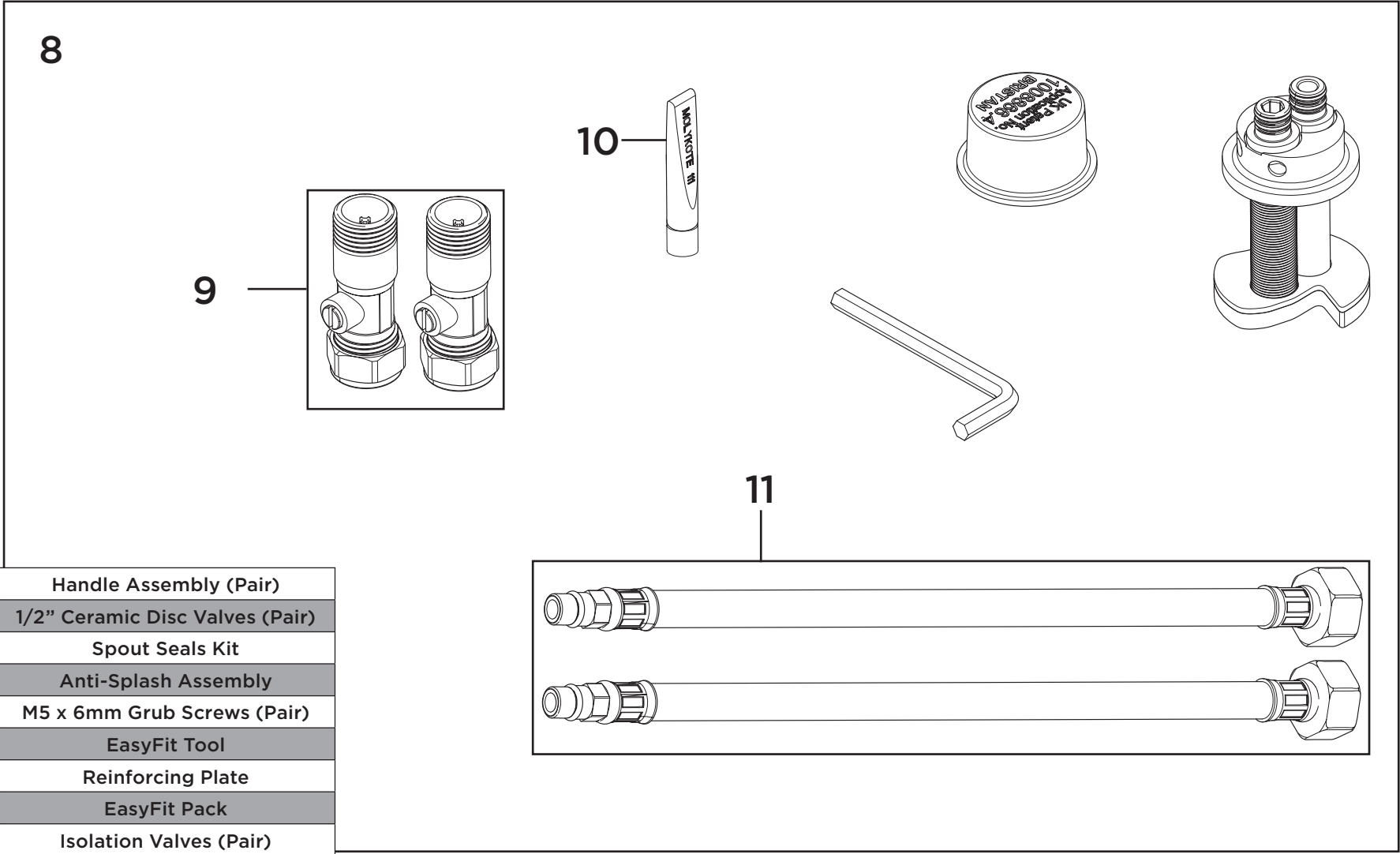
2

5

1

1	Handle Assembly (Pair)
2	1/2" Ceramic Disc Valves (Pair)
3	Spout Seals Kit
4	Anti-Splash Assembly
5	M5 x 6mm Grub Screws (Pair)
6	EasyFit Tool
7	Reinforcing Plate
8	EasyFit Pack
9	Isolation Valves (Pair)
10	Molykote Grease
11	1/2" BSP Flexible Tails (Pair)

Product Code: QST SNK EF C
Revision: D2



1	Handle Assembly (Pair)
2	1/2" Ceramic Disc Valves (Pair)
3	Spout Seals Kit
4	Anti-Splash Assembly
5	M5 x 6mm Grub Screws (Pair)
6	EasyFit Tool
7	Reinforcing Plate
8	EasyFit Pack
9	Isolation Valves (Pair)
10	Molykote Grease
11	1/2" BSP Flexible Tails (Pair)