

VT BASNW C

VANTAGE Tap Range Vantage Basin Mixer Without Waste Chrome



Features:

- Easy fit base included
- Metal fixing nut
- Complete with flexi tails and intergral isolators

Product Certifications:



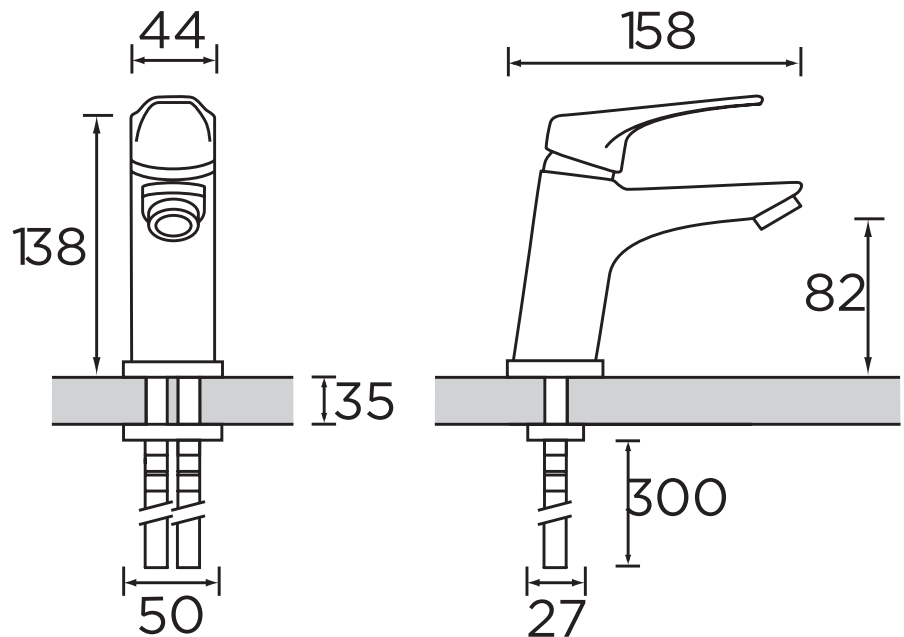
For more products, visit our website:



Specification

Style:	Contemporary
Product Type:	Bathroom Tap
Finish/Colour:	Chrome
Main Construction Material:	Brass
Mount Type:	Deck Mounted
Handle Type:	Single Lever
Connection Inlet:	M10 X 300mm Flexible Pipes
Number of Tap Holes Required:	1
Valve/Cartridge Type:	35mm Stepped Cartridge
Plumbing System Suitability	All
Working Pressure Range:	Min. 0.4bar, Max. 5.0bar
Maximum Hot Water Temperature: °c	65
Maximum Dynamic Pressure: (bar)	5
Maximum Static Pressure: (bar)	10
Flow Type:	Single
Flow Rate: (l/min @ 3 bar)	19.4
Connection Outlet:	N/A
Isolation Included:	Yes

Dimensions (measurements in mm)



Flow Rates (l/min)

System Pressure (bar)	0.4	0.5	1	2	3	5
VT BASNW C	5.4	8.5	12	15.9	19.4	25

TECHNICAL
DATA
SHEET



BRISTAN

D4