

# ST PUMP20SG

## Accessories 2.0 Bar Single Ended Shower Pump By Stuart Turner



### Specification

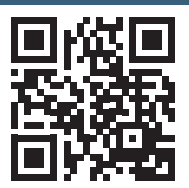
|                                      |                                       |
|--------------------------------------|---------------------------------------|
| <b>Pump Type:</b>                    | Single speed single impeller          |
| <b>Power Supply:</b>                 | 230 Volts AC                          |
| <b>Power Consumption:</b>            | 215 Watts                             |
| <b>Inlet Connection:</b>             | Flexible hose - 15mm push fit         |
| <b>Outlet Connection:</b>            | Flexible hose - 15mm push fit         |
| <b>Supply:</b>                       | Suitable for gravity fed systems only |
| <b>Max. Head Inlet:</b>              | 10 Meters                             |
| <b>Max. Head (closed valve):</b>     | 19 Meters                             |
| <b>Motor Rating:</b>                 | 30 minutes on / 30 minutes off        |
| <b>Max. Working Pressure:</b>        | 3.0 Bar                               |
| <b>Pump Rating:</b>                  | 2 Bar / 17 LPM                        |
| <b>Max. Inlet Water Temperature:</b> | 65°C                                  |

### Features:

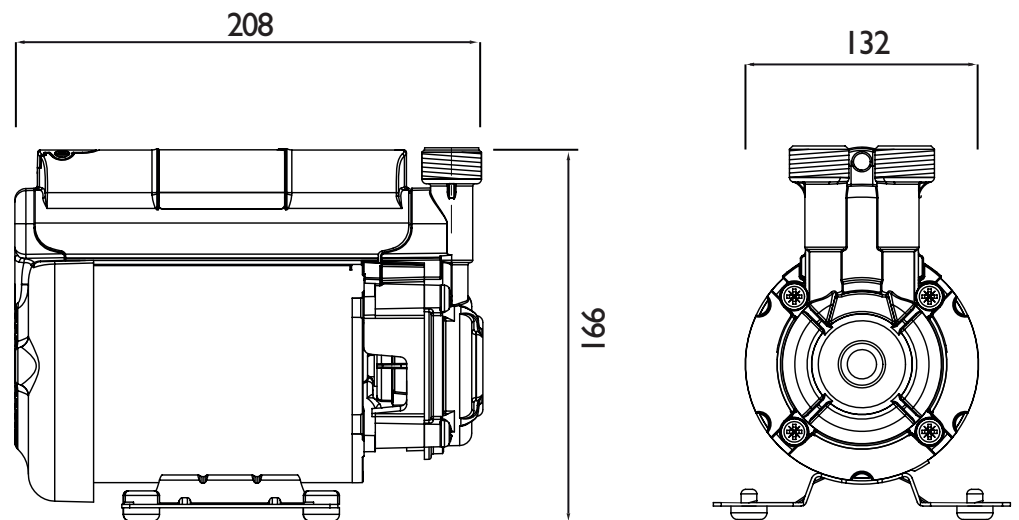
- Single impeller for boosting one water supply
- Fully automatic flow switch control - pump automatically starts when flow of water exceeds 0.8 litres per minute.
- Pump rated at 2 bar pressure, equivalent to 20 meters head height
- High boost performance
- Low noise - fitted with anti-vibration feet.
- Min. inlet water temperature - 4°C
- Max. inlet water temperature - 65°C
- Max. number of starts per hour - 60
- Max. ambient air temperature - 40°C

### Product Certifications:

For more products, visit our website:  
<http://www.bristan.com>



### Dimensions (measurements in mm)



## TECHNICAL DATA SHEET



# BRISTAN

TAPS & SHOWERS D2