

# AE SHCAR C

## ACUTE Shower Range Acute Recessed Shower Valve with Adjustable Riser Chrome



### Features:

- Thermostatic cartridge with preset temperature stop at 41°C
- TMV2 thermostatic control for a higher level of performance and protection
- Supplied with 1 x 7L/min and 1 x 5L/min flow regulators
- Adjustable fixing brackets on riser rail enables existing screw holes to be used
- Includes rub-clean anti-limescale handset

### Product Certifications:



WRAS Certificate No: 1904904  
WRAS Expiry Date: 30/04/2024



TMV2 Certificate No: NSF2124/0619  
TMV2 Expiry Date: 13/06/2024



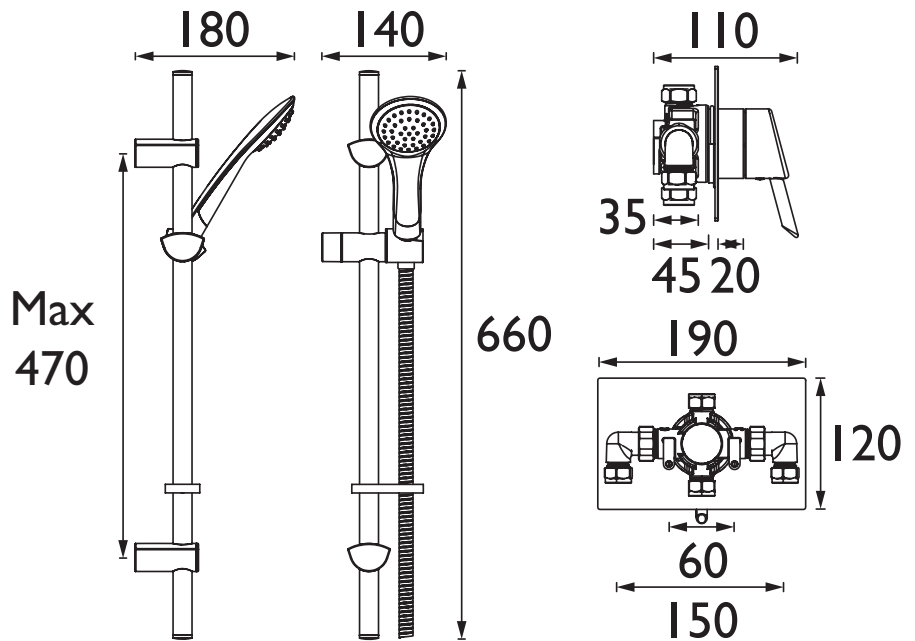
For more products, visit our website:  
<http://www.bristan.com>



### Specification

Finish/Colour:	Chrome Plated
Main Construction Material:	Brass
No of Controls:	1
Shower Type:	Sequential Mini Valve
Shower Head Type:	Adjustable
Shower Kit:	Adjustable Riser
Valve/Cartridge Type:	Thermostatic Cartridge
Maximum Hot Water Supply Temperature °C:	65
Plumbing System Suitability:	All plumbing systems, ideally balanced
Minimum Dynamic Pressure (bar):	0.1
Maximum Dynamic Pressure (bar):	5
Maximum Static Pressure (bar):	10
Connection Inlet:	15mm Compression
Connection Outlet:	G 1/2"
Isolation Valve Included:	No
Check Valve Included:	Yes

### Dimensions (measurements in mm)



### Flow Rates (l/min)

System Pressure (bar)	0.1	0.2	0.5	1	2	3	5
Through Handset (mixed)	1.8	2.8	4.7	6.6	7	7.1	7.9
With Flow Limiters (mixed)	1.6	2.4	4	5.8	6.6	7.5	7.5

## TECHNICAL DATA SHEET



# BRISTAN