

AE SHXAR C

ACUTE Shower Range Acute AE SHXAR Thermostatic Surface Mounted Shower Valve with Adjustable Riser Chrome



Features:

- All in one box - pack includes shower valve, hose, hose retainer, adjustable riser rail and a rub-clean anti-limescale single function handset so nothing to buy separately
- Easy installation with adjustable elbow inlets which enable you to use on existing pipework centres between 110mm and 155mm so there's no need for retiling
- Adjustable fixing brackets on riser rail enables existing screw holes to be used
- Rub clean handset - limescale and debris build-up is quickly and easily removed by rubbing a finger or a cloth over the nozzles.
- A hard-wearing, flawless, scratch resistant chrome finish that lasts for years. Salt spray tested to ensure added durability.

Product Certifications:

WRAS Certificate No: 240403011
WRAS Expiry Date: 30/04/2029

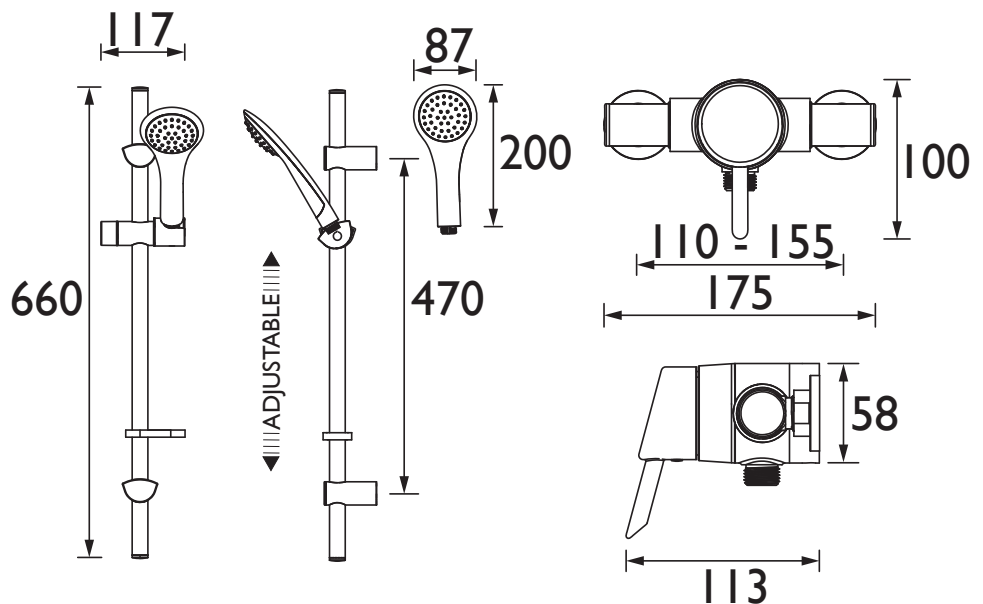
TMV2 Certificate No: NSF2126/0619
TMV2 Expiry Date: 13/12/2024



Specification

Finish/Colour:	Chrome Plated
Main Construction Material:	Brass
No of Controls:	1
Shower Type:	Sequential Mini Valve
Shower Head Type:	Single Function Handset
Shower Kit:	Adjustable Riser
Valve/Cartridge Type:	Sequential Cartridge
Maximum Hot Water Supply Temperature °C:	65
Plumbing System Suitability:	Suitable for all plumbing systems, ideally balanced
Minimum Dynamic Pressure (bar):	0.1
Maximum Dynamic Pressure (bar):	5
Maximum Static Pressure (bar):	10
Connection Inlet:	15mm Compression
Connection Outlet:	G 1/2"
Isolation Valve Included:	No
Check Valve Included:	No

Dimensions (measurements in mm)



Flow Rates (l/min)

System Pressure (bar)	0.1	0.5	1	2	3	5
Valve Only/Largest FR (mixed)	2.1	5.4	8	12.1	15.3	21.3
Through Handset (mixed)	2.1	5.4	8	12.1	15.3	21.3
With Flow Limiters (mixed)	1.6	4.1	6	7.9	8.4	8.6

TECHNICAL DATA SHEET



BRISTAN

D15

Bristan, Birch Coppice Business Park, Dordon, Tamworth, B78 1SG. Web Site: www.bristan.com Telephone: 0330 026 6273. Email: enquire@bristan.com.

* - **Non-chrome product finishes carry a 3 year guarantee on finish.** See www.bristan.com/guarantees for more information. The information contained on this page was correct at date of issue. Listed flow rates are indicative for the product. Different plumbing systems and flow regulators can produce higher or lower results. Fitting Dimensions are provided as a guide only. Some variation may occur due to manufacturing tolerances. Bristan pursues a policy of continuous improvement in design and performance of its products and so reserves the right to change specifications without prior notice.