

# CAP BAS E4 C

## CAPRI Tap Range Capri Basin Mixer Eco4 with Pop-Up

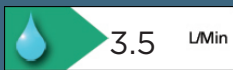


Specification	
Style:	Contemporary
Product Type:	Bathroom Taps
Finish/Colour:	Chrome
Main Construction Material:	Brass
Mount Type:	Deck Mounted
Handle Type:	Single Lever
Connection Inlet:	M10 x 15mm Flexible Connecting Pipes
Number of Tap Holes Required:	1
Valve/Cartridge Type:	40mm Ceramic Disc Cartridge
Plumbing System Suitability	All
Working Pressure Range:	Min 0.2, Max 5.0 Bar
Maximum Hot Water Temperature: °c	65
Maximum Dynamic Pressure: (bar)	5
Maximum Static Pressure: (bar)	10
Flow Type:	Single
Flow Rate: (l/min @ 3 bar)	3.5
Connection Outlet:	M20 Flow Straightener
Isolation Included:	No

### Features:

- Supplied with metal handles
- Product supplied with either a 3.5 or 6 litre per minute flow regulator which can be fitted to the spout outlet to reduce water consumption and increase water efficiency (Flow Regulator accurate +/- 10%)

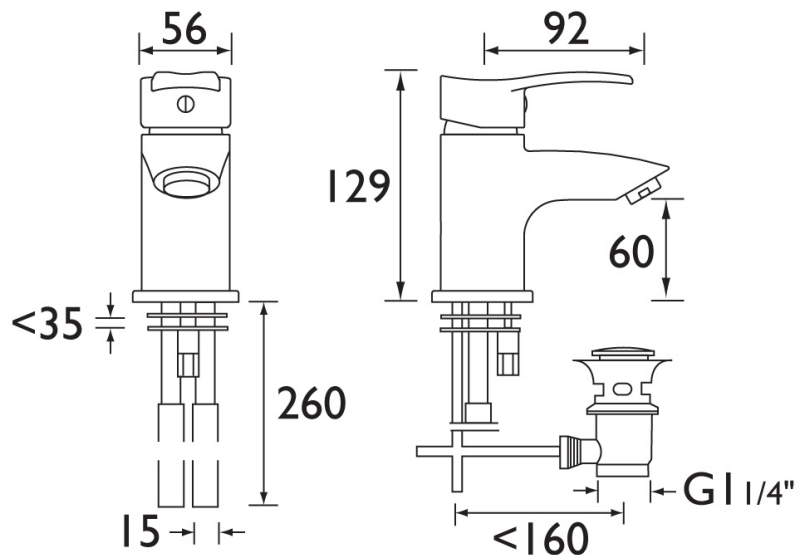
### Product Certifications:



For more products, visit our website:



### Dimensions (measurements in mm)



### Flow Rates (l/min)

System Pressure (bar)	0.2	0.5	1	2	3	5
CAP BAS E4 C	--	--	3.5	3.5	3.5	3.5
Without Flow Regulator Fitted	5.3	9.3	13.4	19.2	23.6	30.6

TECHNICAL  
DATA  
SHEET



**BRISTAN**  
TAPS & SHOWERS

D2