

# JU BSM E6 C

## JUTE Tap Range Jute Bath Shower Mixer Eco6 Chrome



### Features:

- Metal backnuts
- Ceramic disc
- Metal handles
- Chrome plated to BS EN 248

### Product Certifications:



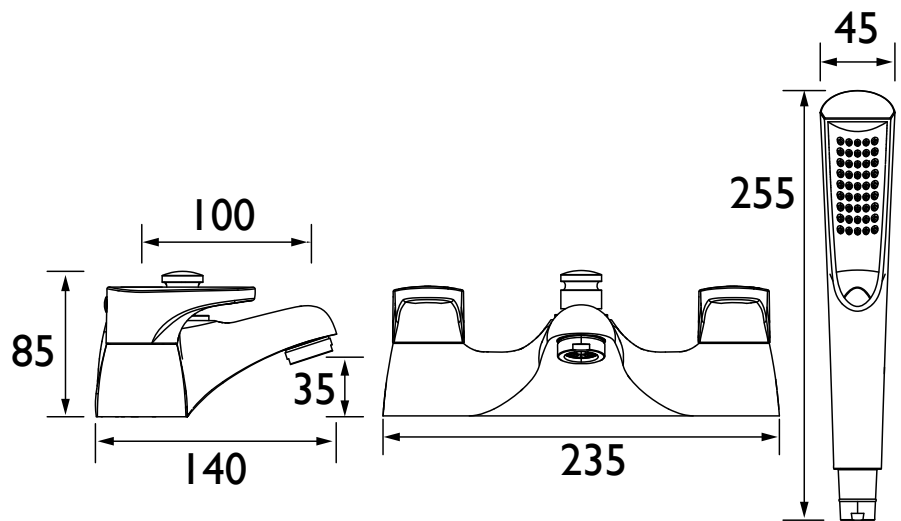
For more products, visit our website:  
<http://www.bristan.com>



### Specification

Product Type:	Taps
Main Construction Material:	Brass
Mount Type:	Deck
Handle Type:	Lever
Connection Inlet:	G3/4" BSP
Connection Outlet:	M28 Flow Straightener
Number of Tap Holes:	2
Valve/Cartridge Type:	1/4 Turn 3/4" Ceramic Disc Valve
Plumbing System Requirements:	Suitable for all plumbing systems
Minimum Dynamic Pressure (bar):	0.2 bar
Maximum Dynamic Pressure (bar):	5.0 bar
Maximum Hot Water Temperature °C:	65°C
Maximum Static Pressure (bar):	10 bar
Flow Type:	Single
Isolation Included:	No

### Dimensions (measurements in mm)



### Flow Rates (l/min)

System Pressure (bar)	0.2	0.5	1	2	3	5
Through Bath Filler (mixed)	21.9	34.7	49.1	69.4	85	109.7
Through Handset (mixed)	6	6	6	6	6	6

## TECHNICAL DATA SHEET



# BRISTAN

D3