

TFP3002

Commercial Shower Range

Shower Panel with Kit



Specification

Main Construction Material:	Steel
No of Controls:	1
Shower Type:	Shower Panel
Shower Head Type:	Fixed Head
Valve/Cartridge Type:	Shower Panel
Maximum Hot Water Supply Temperature °C:	80
Maximum Static Pressure: (bar)	10
Minimum Dynamic Pressure: (bar)	0.5
Maximum Dynamic Pressure: (bar)	5.0
Connection Inlet:	15mm Copper Tails
Isolation Valve Included:	No
Check Valve Included:	Yes

Features:

- Integral thermostatic valve reduces deadleg and risk of legionella
- Single sequential control for both temperature and flow
- Vandal resistant showerhead with adjustable spray trajectory
- Fits to ceiling, leaving no exposed pipework
- Automatic thermostatic shutoff in the event of hot or cold water failure

Product Certifications:



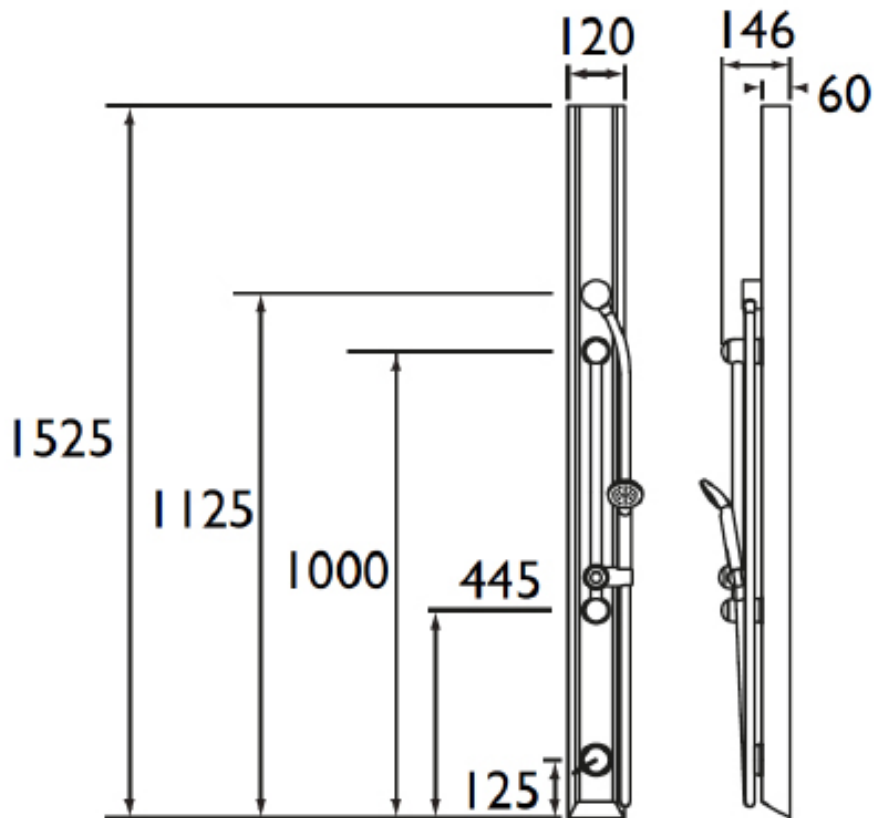
WRAS Certificate No.: 2104913
WRAS Expiry Date: 30/04/2026



TMV3 Cert. No.: NSF2291/0322
TMV3 Expiry Date: 24/03/2027
Designations:
High Pressure Shower Economy
Low Pressure Shower Economy



Dimensions (measurements in mm)



Flow Rates (l/min)

System Pressure (bar)	0.5	1	2	3	5
Through Handset (mixed)	6	8	8.2	8.4	8.5

TECHNICAL DATA SHEET



BRISTAN

D6